

A) Install the gussets in the panels using the 3/8 self threading bolts.
 In Gusset 2 only place the 3/8 self threading bolts in the tabs till next section is joined to it.
 B) Install the caps to the short sections.

C) Install the short section & cap assembly to the bottom section. (Short Section overlaps the bottom section as shown to the right)
 D) Measure up the cone from the bottom of the bin sheet 99 5/8" and drill the first hole using a 7/16 drill bit. Equally space the three wings for best performance.

-Use a string line to from the hole to the center of the sump to help line up the holes required for the picture frame. Measure from the bottom of the sheet again and mark out the bottom two dimensioned holes along the string line.

-Once the three holes are drilled then use the picture frame to mark out the remaining holes and the square. Drill and cut where marked.

-After all picture frame holes are cut and drilled install the picture frame on the inside of the bin and the fan chamber where indicated by the (F) and the air chamber on the remaining two wings. (Longer fin bolts are to be used on the four corners of the picture frame).

-Note have the open end of the air chamber away from the manhole.

-Note bolt head is always to the inside of the cone and then nut always on the outside of the cone.

-Once all picture frames are installed hang the aeration wing from the first hole and drill the remaining holes indicated by the aeration panels them selves.

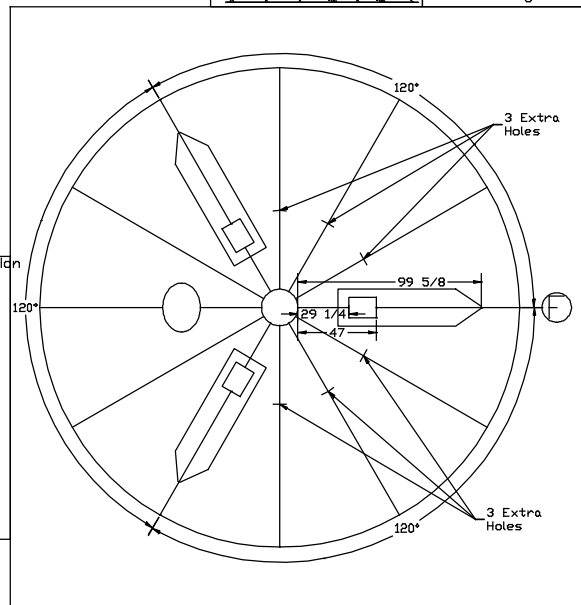
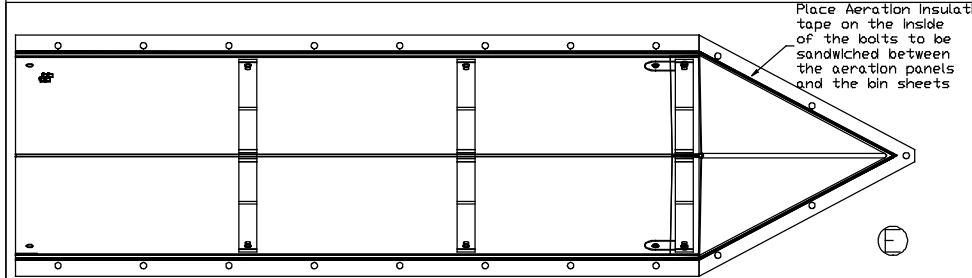
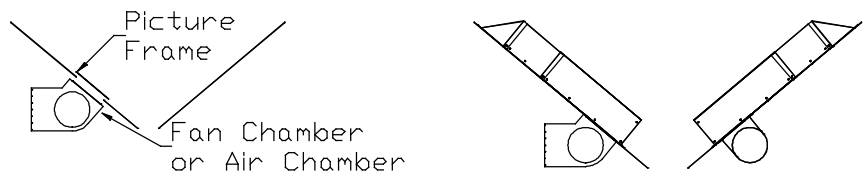
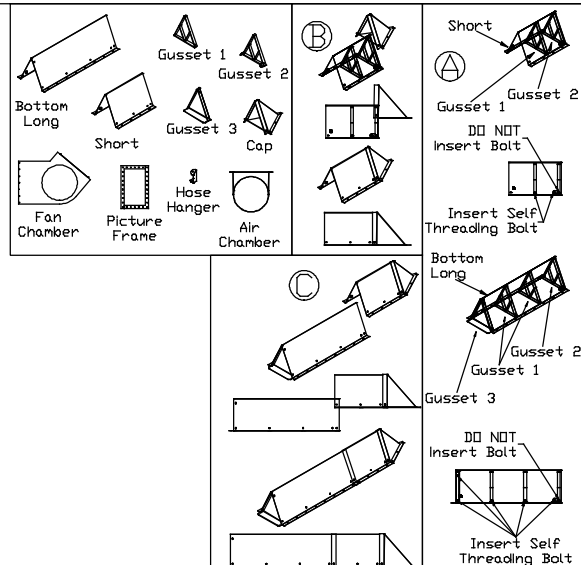
E) Before placing in the remaining bolts install the insulation tape supplied on the inside edge of the aeration panel holes.

-Equally space 3 more holes between the air chambers and the fan chamber at the height of the top hole of the picture frame. Locations indicated by the bottom right picture here.

-The 6 holes last drilled get the galvanized hose hanger bolted in place.

-There are 2 different types of hose clamps. One type is unmodified and the other type is bent in one spot. The bent ones are for the chamber sections. The other hose clamps get the split loom around it and go where the hose hangers are.

-Stretch the corrugated hose and clamp it on the fan chamber and the air chambers. Then Clamp on hose hangers.



3/8 x 3/4 Self threading bolts are to be used in all gussets
 3/8 x 3/4 Fin Bolts are to be used for all aeration
 3/8 x 1 Fin Bolts are to be used for the four corners of the picture frame
 Drill bit required
 7/16 - For every thing