

# **PARTS MANUAL**

## ***BALE KING***

### ***VORTEX 3000***

## ***BALE KING GREEN & DEGELMAN BALE KING YELLOW***

### ***MODELS***



# **BRIDGEVIEW**

**MANUFACTURED BY:** BRIDGEVIEW MANUFACTURING INC.  
P.O. BOX 4  
GERALD, SASK. CANADA  
S0A 1B0  
PHONE: (306) 745-2711  
FAX: (306) 745-3364

# TABLE OF CONTENTS

## BALE KING VORTEX 3000

EXTERNAL PARTS AND CONTROLS.....	1 - 4
SWITCH.....	4A
PTO ASSEMBLIES.....	5 - 10
INNER TUB PARTS.....	11 - 12
HYDRAULIC ASSEMBLIES.....	13 - 14
HYDRAULIC SCHEMATICS.....	15 - 16
HUB ASSEMBLY.....	17
FINE CHOP OPTION (SIDE MOUNT).....	18
<b>MODELS WITH SERIAL # BK3182 AND BELOW</b>	
SPRING ASSISTED DEFLECTOR.....	19 – 20
HYDRAULIC SCHEMATICS.....	21
FINE CHOP OPTION (BOTTOM MOUNT).....	22
OPTIONAL ATTACHMENTS.....	23 - 24

# EXTERNAL PARTS AND CONTROLS



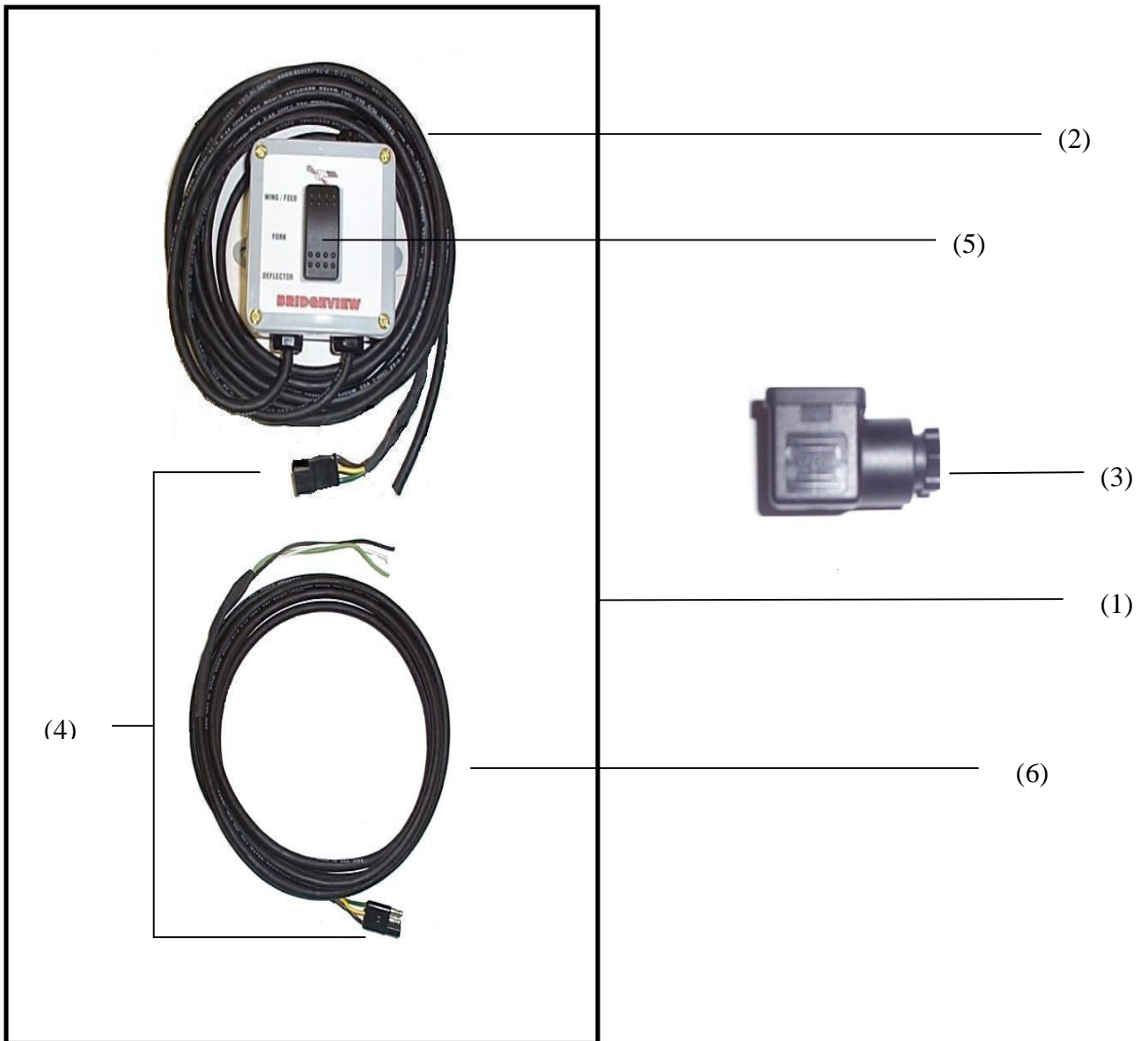
# EXTERNAL PARTS AND CONTROLS

## PARTS LIST

<u>Ref#</u>	<u>BMI#</u>		<u>Description</u>	<u>Qty.</u>
	<b>GREEN</b>	<b>YELLOW</b>		
1	N/A		Main Frame	1
2	N/A		Tub Assembly	1
3	10440	17856	Top Bale Shield	2
Not Shown	14461		1/2" x 1 1/2" NC Bolt <b>(+2 for Serial# BK3182 and below)</b>	6
Not Shown	16345		1/2" Flat Washer <b>(+2 for Serial# BK3182 and below)</b>	6
Not Shown	10278		1/2" Serrated Flange Nut <b>(+2 for Serial# BK3182 and below)</b>	6
4	10503		Front Rack <b>(for Serial #BK3184 and below)</b>	1
4	12903	17600	Front Rack <b>(for Serial #BK3184 and above)</b>	1
Not Shown	14460		1/2" x 1" NC Bolt	2
Not Shown	10278		1/2" Serrated Flange Nut	6
Not Shown	15403		1/2" x 3 1/4" NC Bolt	4
Not Shown	16345		1/2" Flat Washer	4
5	10421		PTO Shield	1
Not Shown	13806		3/8" x 1" NC Bolt	4
Not Shown	13773		3/8" Flat Washer	4
Not Shown	13802		3/8" NC Locknut	4
6	12806	19435	Rotor Plate (Round Corners)	1
	10508		Rotor Plate (Square Corners)	1
Not Shown	14460		1/2" x 1"	8
Not Shown	10278		1/2" Serrated Flange Nut	8
Not Shown	10421		PTO Guard Adaptor	1
Not Shown	13806		3/8" x 1" NC Bolt	2
Not Shown	13772		3/8" Flat Washer	2
Not Shown	13802		3/8" NC Locknut	2
7	10478		Side Deflector (Spring Assist Style)	1
7	12814	17597	Side Deflector (Hydr. Lift style)	1
Not Shown	12815	17598	Deflector Mounts	2
Not Shown	13806		3/8" x 1" NC Bolt	6
Not Shown	13772		3/8" Flat Washer	6
Not Shown	11818		3/8" Serrated Flange Nut	6
Not Shown	10288	17601	Channel Rubber Deflector	1
8	10477		Rubber Deflector 18"	1
Not Shown	13806		3/8" x 1" NC Bolt	8
Not Shown	13802		3/8" NC Locknut	8

<u>Ref#</u>	<u>BMI#</u>		<u>Description</u>	<u>Qty.</u>
	<b>GREEN</b>	<b>YELLOW</b>		
<b>9</b>	<b>10825</b>	<b>18538</b>	<b>Bottom Deflector</b>	<b>1</b>
Not Shown	<b>12817</b>	<b>18031</b>	<b>Handle, Bottom Deflector</b>	<b>1</b>
Not Shown	<b>11662</b>		<b>5/16" x 3/4" Carriage Bolt</b>	<b>6</b>
Not Shown	<b>11815</b>		<b>5/16" Serrated Flange Nut</b>	<b>6</b>
Not Shown	<b>14461</b>		<b>1/2" x 1 1/2" NC Bolt</b>	<b>2</b>
Not Shown	<b>14443</b>		<b>1/2" NC Locknut</b>	<b>2</b>
Not Shown	<b>16345</b>		<b>1/2" Fender Washer</b>	<b>2</b>
Not Shown	<b>10239</b>		<b>Deflector Bushing</b>	<b>2</b>
Not Shown	<b>13806</b>		<b>3/8" x 1" NC Bolt</b>	<b>2</b>
Not Shown	<b>11818</b>		<b>3/8" Serrated Flange Nut</b>	<b>2</b>
Not Shown	<b>10231</b>		<b>Plated S-Handle</b>	<b>1</b>
Not Shown	<b>10301</b>		<b>Compression Spring</b>	<b>1</b>
Not Shown	<b>10302</b>		<b>Roll Pin</b>	<b>1</b>
Not Shown	<b>10297</b>		<b>Rubber Grip</b>	<b>1</b>
<b>10</b>	<b>10452</b>	<b>17592</b>	<b>Tongue Hitch</b>	<b>1</b>
<b>11</b>	<b>10453</b>	<b>17593</b>	<b>Clevis for Tongue Hitch</b>	<b>1</b>
Not Shown	<b>10802</b>		<b>3/4" x 5 3/4" NC Bolt</b>	<b>2</b>
Not Shown	<b>10007</b>		<b>3/4" NC Locknut</b>	<b>2</b>
<b>12</b>	<b>10285</b>		<b>Implement Jack</b>	<b>1</b>
<b>13</b>	<b>10077</b>		<b>11L x 15 Tire</b>	<b>2</b>
<b>14</b>	<b>10287</b>		<b>8" x 15" 6 - Bolt Rim - Yellow</b>	<b>2</b>
<b>15</b>	<b>10476</b>	<b>19434</b>	<b>Hoop Height Adjuster</b>	<b>1</b>
Not Shown	<b>13806</b>		<b>3/8" x 1" NC Bolt</b>	<b>4</b>
Not Shown	<b>11818</b>		<b>3/8" Serrated Flange Nut</b>	<b>4</b>
Not Shown	<b>10297</b>		<b>Rubber Handle Cover</b>	<b>1</b>
Not Shown	<b>10231</b>		<b>Plated S Handle</b>	<b>1</b>
Not Shown	<b>10301</b>		<b>Compression Spring</b>	<b>1</b>
Not Shown	<b>10302</b>		<b>Roll Pin</b>	<b>1</b>
<b>16</b>	<b>10317</b>	<b>17442</b>	<b>Deflector Hydraulic Cylinder(See Pg14)</b>	<b>1</b>
Not Shown	<b>10801</b>		<b>1/2" x 3 1/2" NC Bolt</b>	<b>1</b>
Not Shown	<b>15397</b>		<b>1/2" x 3 3/4" NC Bolt</b>	<b>1</b>
Not Shown	<b>14443</b>		<b>1/2" NC Locknut</b>	<b>2</b>
<b>17</b>	<b>10516</b>	<b>17594</b>	<b>Deflector Cylinder Mount (Front Plate)</b>	<b>1</b>
Not Shown	<b>13806</b>		<b>3/8" x 1" NC Bolt</b>	<b>4</b>
Not Shown	<b>11818</b>		<b>3/8" Serrated Flange Nut</b>	<b>4</b>
Not Shown	<b>15705</b>	<b>17596</b>	<b>Deflector Cylinder Mount (Deflector)</b>	<b>1</b>
Not Shown	<b>13806</b>		<b>3/8" x 1" NC Bolt</b>	<b>4</b>
Not Shown	<b>11818</b>		<b>3/8" Serrated Flange Nut</b>	<b>4</b>
<b>18</b>	<b>13560</b>	<b>19430</b>	<b>Safety Transport Link</b>	<b>1</b>
Not Shown	<b>13233</b>		<b>Lynch Clip</b>	<b>1</b>
Not Shown	<b>13232</b>		<b>1/2" x 2 1/4" NC Bolt</b>	<b>1</b>
Not Shown	<b>13231</b>		<b>1/2" x 2 1/2" NC Stabilizer Pin</b>	<b>2</b>
Not Shown	<b>10278</b>		<b>1/2" Serrated Flange Nut</b>	<b>6</b>
<b>19</b>	<b>10511</b>		<b>Rear Fork Frame</b>	<b>1</b>

<u>Ref#</u>	<u>BMI#</u>		<u>Description</u>	<u>Qty.</u>
	<b>GREEN</b>	<b>YELLOW</b>		
<b>20</b>	<b>10361</b>		<b>Pivot Pipe</b>	<b>1</b>
Not Shown	<b>10504</b>		<b>3" Rubber Cap</b>	<b>2</b>
Not Shown	<b>15397</b>		<b>1/2" x 3 3/4" NC Bolt</b>	<b>1</b>
Not Shown	<b>14443</b>		<b>1/2" NC Locknut</b>	<b>1</b>
Not Shown	<b>10280</b>		<b>1/4" Grease Zerk</b>	<b>2</b>
Not Shown	<b>10580</b>		<b>1/4" x 2" Cotter Pin</b>	<b>2</b>
<b>21</b>	<b>10303</b>	<b>17606</b>	<b>Bale Tine</b>	<b>2</b>
<b>22</b>	<b>10234</b>	<b>17602</b>	<b>Small Bale Tine (Optional)</b>	<b>2</b>
Not Shown	<b>10031</b>		<b>Headed Pin</b>	<b>2</b>
Not Shown	<b>10072</b>		<b>3/16" x 1 1/2" Cotter Pin</b>	<b>2</b>
<b>23</b>	<b>10517</b>		<b>Fork Hydraulic Cylinder (See Page 13)</b>	<b>2</b>
Not Shown	<b>10339</b>		<b>Butt End Cylinder</b>	<b>2</b>
Not Shown	<b>10341</b>		<b>Ram End Cylinder</b>	<b>2</b>
Not Shown	<b>10580</b>		<b>1/4" x 2" Cotter Pin</b>	<b>8</b>
Not Shown	<b>16640</b>		<b>Cylinder Safety Lock</b>	<b>1</b>
Not Shown	<b>12050</b>		<b>PTO Clip, Safety Lock</b>	<b>1</b>
<b>24</b>	<b>11742</b>		<b>Splitter (See Page 15)</b>	<b>1</b>
Not Shown	<b>13761</b>		<b>1/4" x 2" NC Bolt</b>	<b>2</b>
Not Shown	<b>15402</b>		<b>1/4" NC Locknut</b>	<b>2</b>
Not Shown	<b>13763</b>		<b>1/4" Washer</b>	<b>2</b>
<b>25</b>	<b>11743</b>		<b>Diverter (See Page 15)</b>	<b>1</b>
Not Shown	<b>11783</b>		<b>5/16" x 3" Socket Head Bolt</b>	<b>2</b>
Not Shown	<b>15870</b>		<b>5/16" NC Locknut</b>	<b>2</b>
<b>26</b>	<b>11045</b>		<b>Hydraulic Motors (See Page 15)</b>	<b>2</b>
Not Shown	<b>16625</b>	<b>17589</b>	<b>PTO and Hose Holder</b>	<b>1</b>
Not Shown	<b>10510</b>		<b>Cover Fine Chop</b>	<b>2</b>
Not Shown	<b>10807</b>		<b>3/8" x 3/4" Fin Bolt</b>	<b>8</b>
Not Shown	<b>11818</b>		<b>3/8" Serrated Flange Nut</b>	<b>8</b>
Not Shown			<b>Vortex Decals:</b>	
	<b>12190</b>	<b>17361</b>	<b>Bale King</b>	<b>2</b>
	<b>12181</b>	<b>17363</b>	<b>V3000</b>	<b>2</b>
		<b>17360</b>	<b>Degelman Decal 8.25" x 36"</b>	<b>1</b>
	<b>12239</b>		<b>PIMA</b>	<b>1</b>
	<b>12516</b>		<b>Patent</b>	<b>1</b>
Not Shown			<b>Safety Decals:</b>	
	<b>12229</b>		<b>Danger Sign (Lift Area)</b>	<b>2</b>
	<b>12230</b>		<b>Danger Sign</b>	<b>4</b>
	<b>12219</b>		<b>Caution Sign</b>	<b>2</b>
	<b>12228</b>		<b>SMV</b>	<b>1</b>
	<b>13324</b>		<b>1 1/2" x 3" Amber Reflective Decal</b>	<b>3</b>
	<b>13325</b>		<b>1 1/2" x 3" Red Reflective Decal</b>	<b>3</b>
	<b>13194</b>		<b>Decal Transport Safety Lock</b>	<b>1</b>
			<b>(N/A before Serial# BK3183)</b>	



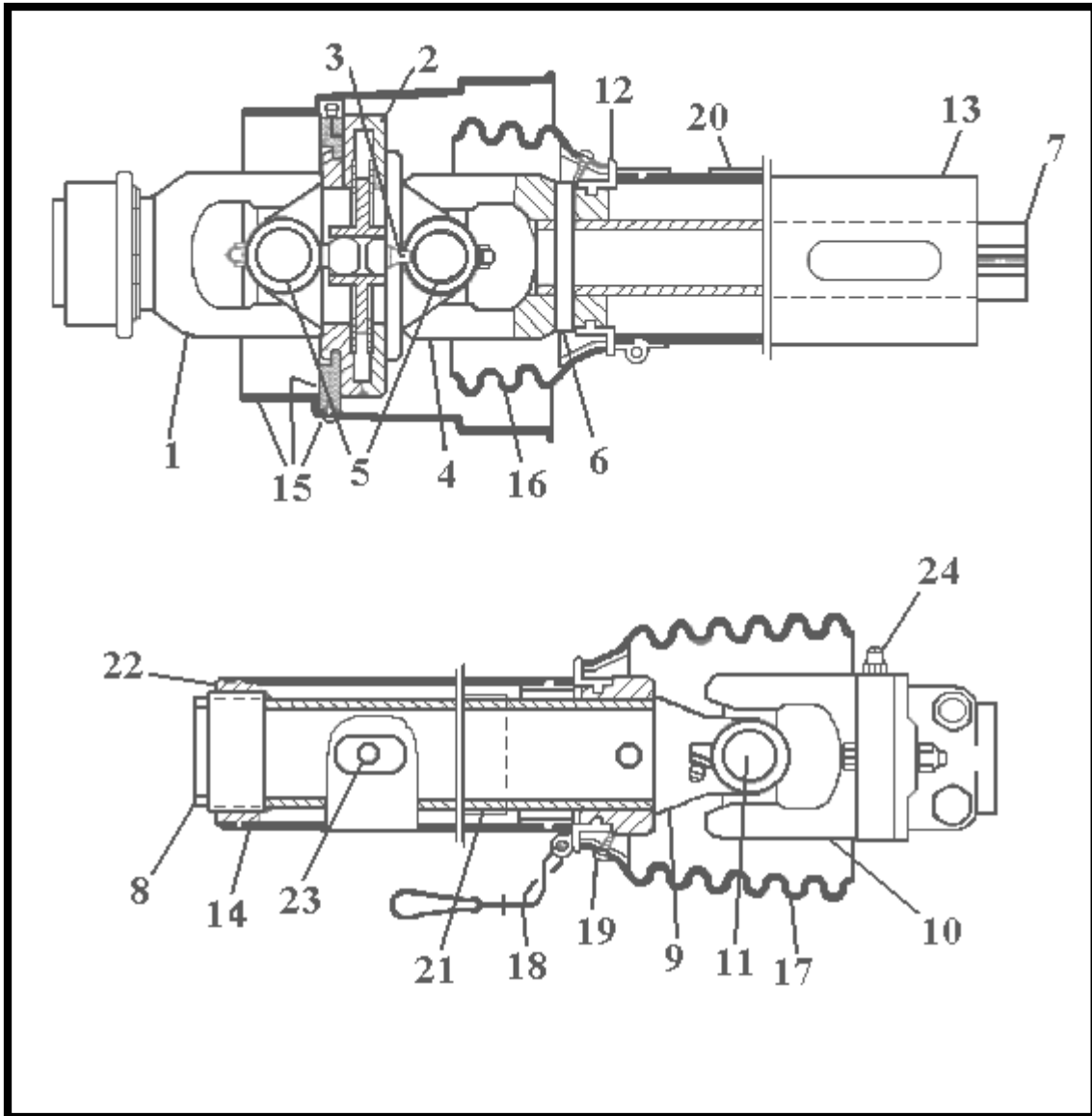
### PARTS LIST

<u>Ref #</u>	<u>BMI#</u>	<u>Description</u>	<u>Qty.</u>
1	11800	Complete control box with harness for 3000 series	1
2	11793	Control box complete with cab to hitch harness all 3000 & 4000 series	1
3	13657	Square plug for diverter valve	1
4	13562	3 pin trailer plug	1
5	13561	3 way switch	1
6	11794	Harness (hitch to valve) 3000 series	1





**PTO ASSEMBLY (WALTERSCHEID)  
#10087**



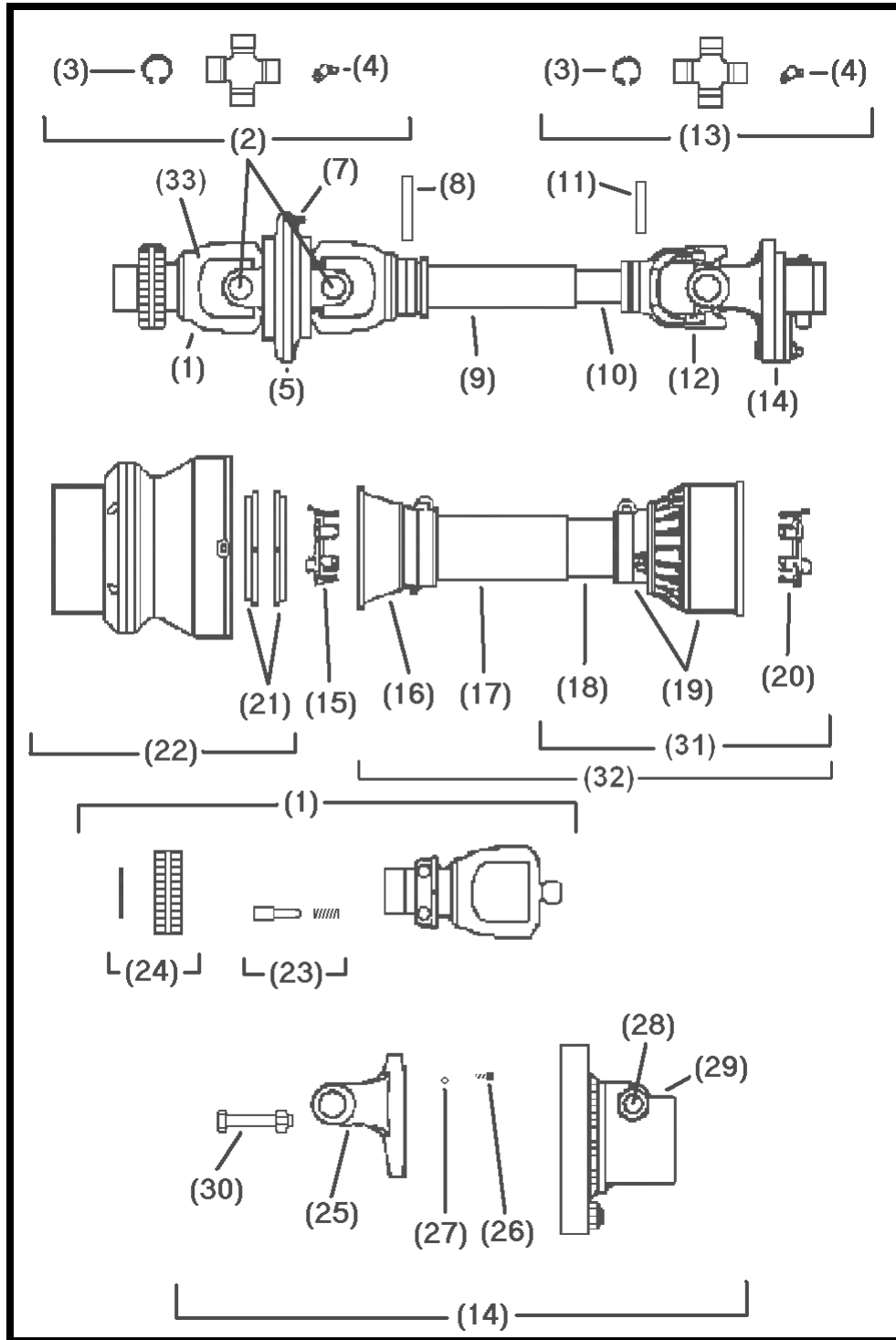
# PTO ASSEMBLY (WALTERSCHEID)

## PARTS LIST

<u>Ref#</u>	<u>BMI#</u>		<u>Description</u>	<u>Qty.</u>
	<b>GREEN</b>	<b>YELLOW</b>		
	10087	17388	Complete PTO Assembly	
1	10088		Yoke 1 3/8" – 21 SPL.	1
2	10090		Double Yoke	1
3	N/A		Grease Zerk (Included with item 2)	1
4	10091		Inboard Yoke 1b	1
5	10092		Cross and Bearing Kit	2
6	10093		Spring Pin	2
7	10095		Inner Profile 1bGA	1
8	10096		Profile and Sleeve W.A.	1
9	10097		Inboard Yoke 2a	1
10	10591		Shear Bolt Clutch	1
11	10094		Cross and Bearing Kit	1
12	10099		Bearing Ring SC25 Shield	2
13	10100		Outer Shield Tube, Oval Shield	1
14	10101		Inner Shield Tube, Oval Shield	1
15	10102		CV Cone and Bearing Assembly Shield	1
16	10103		Shield Cone 3 Rib	1
17	10104		Shield Cone 6 Rib	1
18	10105		Safety Chain	1
19	10108		Screw (Included with items 15, 16 ,17)	8
20	10106		Decal Outer (Included with item 13)	1
21	10107		Decal Inner (Included with item 8)	1
22	10109		Support Bearing	1
23	10110		Grease Zerk (Included with item 8)	1
24	10592		10mm Grease Zerk	10
Not Shown	10113		ASG. Col. Kit (Included with item 1)	1
Not Shown	10470		10mm x 60mm Shear Bolt	1
Not Shown	10471		10mm Locknut	1

**Walterscheid:** Identified by *Accordian Style* bell shield on machine end of PTO

# PTO ASSEMBLY (BONDIOLI) #10114

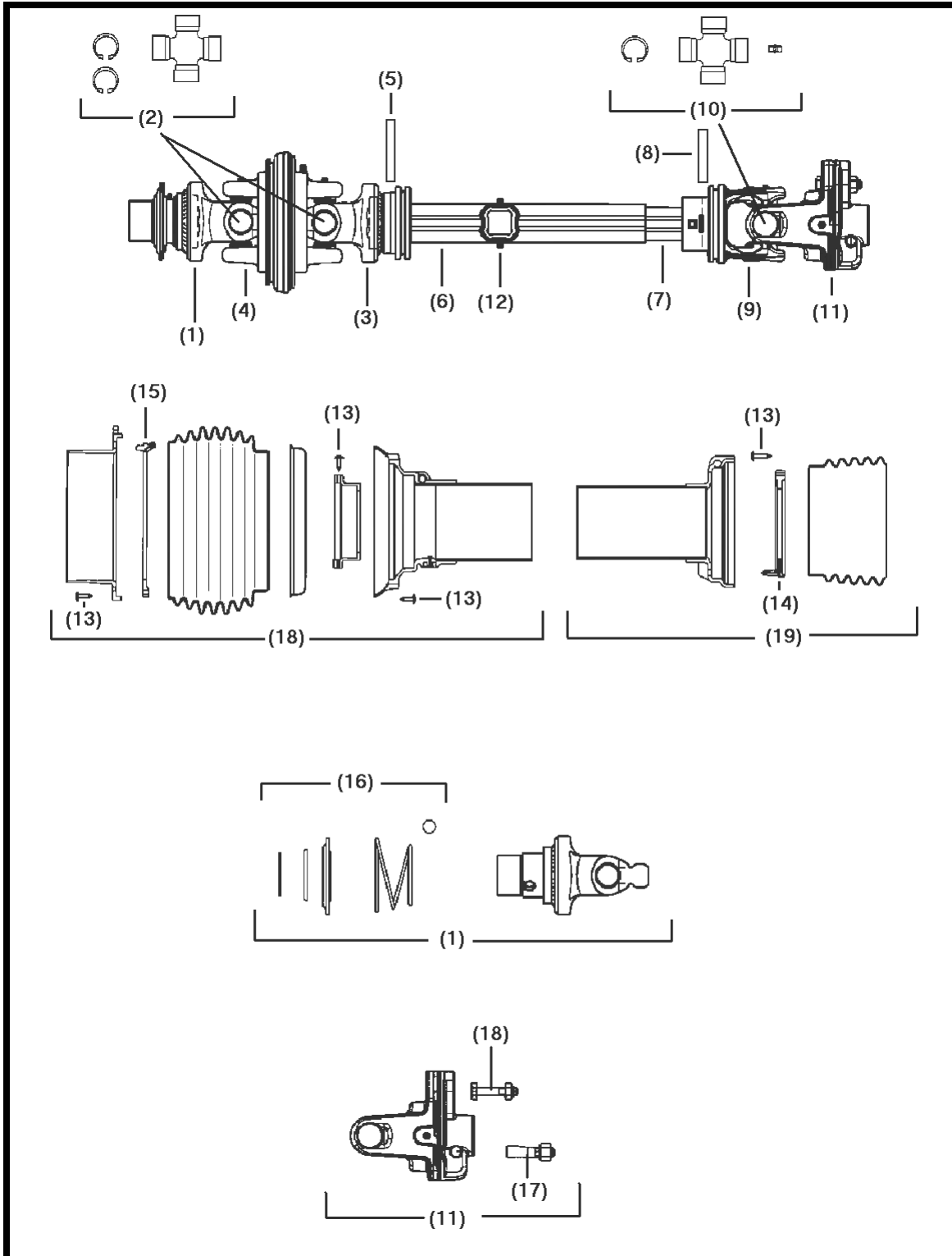


## PTO ASSEMBLY (BONDIOLI)

### PARTS LIST

<u>Ref#</u>	<u>BMI#</u>		<u>Description</u>	<u>Qty.</u>
	<b>GREEN</b>	<b>YELLOW</b>		
	10114	17388	Complete PTO Assembly	
1	10202		Yoke w/Bridge (Sliding Collar) 1 3/8"	1
2	10116		U-Joint Cross Kit	2
3	N/A		Circlip (Included with Cross Kit)	8
4	N/A		Grease Zerk (Included with Cross Kit)	2
5	10119		Central Body CV Joint	1
6	10120		Yoke	1
7	10121		Grease Zerk	1
8	10122		Roll Pin	1
9	10123		Cardan Tube	1
10	10124		Cardan Tube CM	1
11	10125		Roll Pin	1
12	10126		Inner Tube Yoke	1
13	10127		U-Joint Cross Kit	1
14	13703		Torque Limiter (Quick Pin Style)	1
15	10129		Shield Support 6-7	1
16	10130		Safety Cone	1
17	10131		CM Safety Tube	1
18	10132		SM Safety Tube	1
19	10133		I Cone Sets F5-6-7	1
20	10134		Shield Support 6-7	1
21	10135		Ring Nut Dowell	1
22	10136		Complete Shell	1
23	10137		Complete Push Bottom	1
24	10138		Hub	1
25	N/A		Yoke (Included w/item 13703)	1
26	10140		Grease Zerk	1
27	10141		Ball 5/16	1
28	N/A		Nut Sold with Item #29	1
29	10406		Wedge Lock on machine Yoke	1
30	10407		Shear Bolt (Pkg. of 5)	1
31	10150		Half Shaft Shield (Impl. end)	1
32	10151		Safety Shield – Complete	1
33	10152		Yoke 1 3/4" 20-Spline	1

# PTO ASSEMBLY (BONDIOLI) #12574

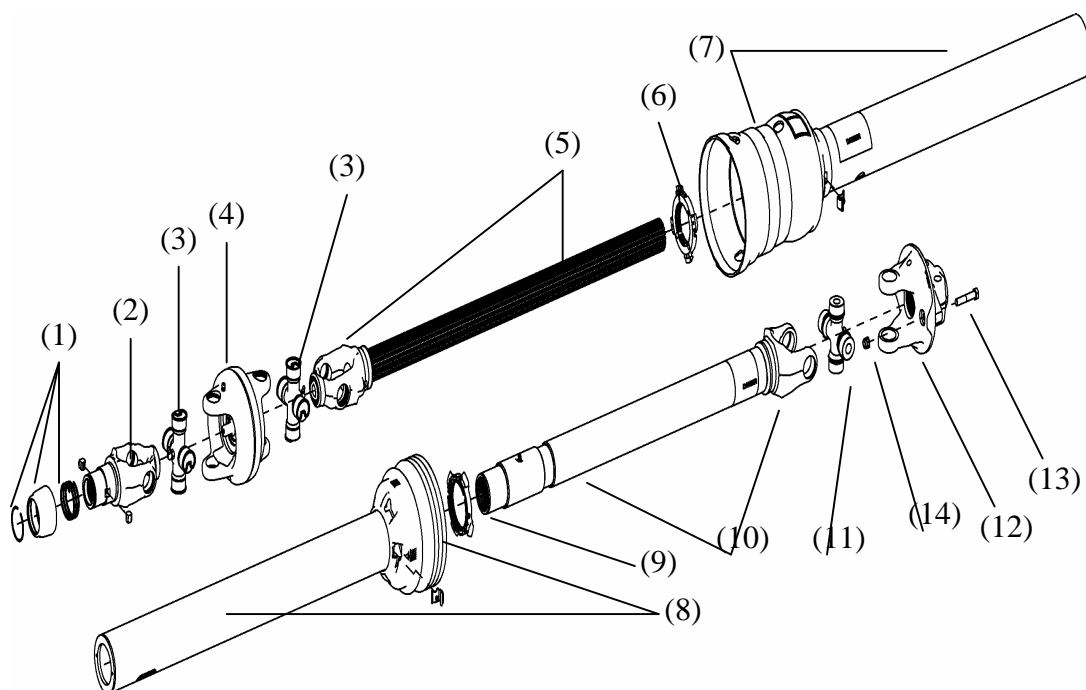


# PTO ASSEMBLY (BONDIOLI)

## PARTS LIST

<u>Ref#</u>	<u>BMI#</u>		<u>Description</u>	<u>Qty.</u>
	GREEN	YELLOW		
	12574	17388	Complete PTO Assembly	
1	13564		Yoke	1
2	13563		U-Joint Cross Kit	2
3	13568		Yoke	1
4	13565		CV Body	1
5	10122		Flexible Pin	1
6	13566		Cardan Tube	1
7	13567		Inner Cardan Tube	1
8	10125		Flexible Pin	1
9	13569		Yoke	1
10	13022		U-Joint Cross Kit	1
11	13570		LB Torque Limiter	1
12	13571		Grease Zerk	2
13	13572		Shield Screw	17
14	13609		Ring for Inner Cone	1
15	13610		Laufing for Front CV	1
16	13575		Lock Assembly Front CV	1
17	13577		Wedge Lock	1
18	13576		Shear Bolt	1
19	13573		Shield Assembly – Outer	1
20	13574		Shield Assembly – Inner	1

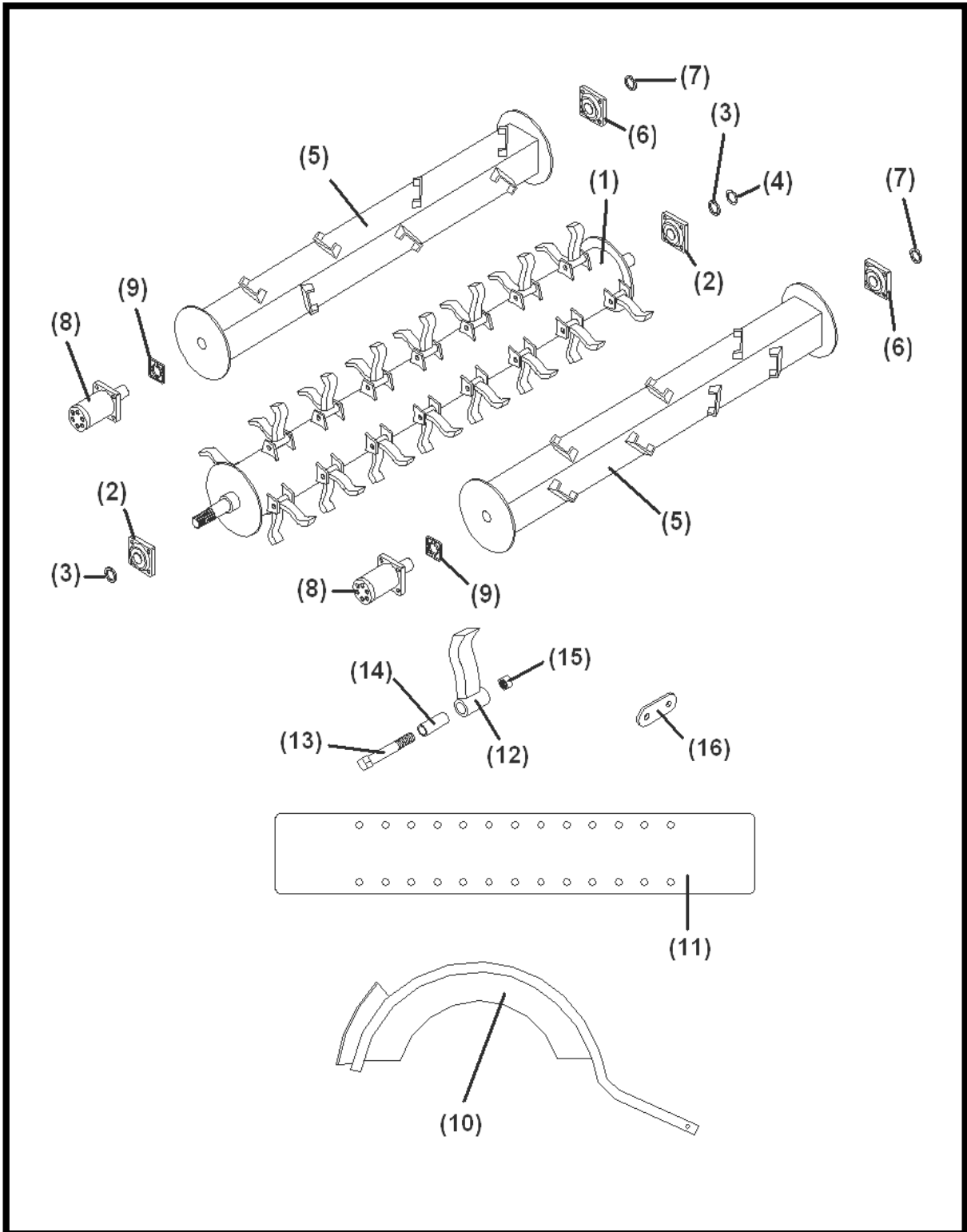
## Weasler PTO SHAFT 17388



### PTO ASSEMBLY ( WEASLER )

<u>Ref #</u>	<u>BMI #</u>	<u>Decription</u>	<u>Qty.</u>
	17388	Complete PTO Assembly	1
1	17567	Safety Slide Lock Repair Kit	1
2	17568	Safety Slide Lock Yoke 1 3/8- 21 spline	1
3	17569	CV Cross & Bearing Kit	2
4	17570	CV Center Housing	1
5	17582	Yoke & Shaft Assy. Tractor Side	1
6	17571	Guard Repair Kit Tractor Side	1
7	17583	Outer Guard Assy Tractor Side ( Item #6 incl)	1
8	17585	Inner Guard Assy Impl. Side ( Item #9 incl)	1
9	17572	Guard Repair Kit Impl. Side	1
10	17584	Yoke & Tube Assy Impl. Side	1
11	17573	Cross & Bearing Kit	1
12	17581	Shear Assy.	1
13	11817	Shear Bolt 3/8 X 2 NC	1
14	17586	Nut 3/8 Lock Nut	1
15	17886	Safety Slide Lock Yoke Assy. 1 3/4 - 20 Spline	1

# INNER TUB PARTS

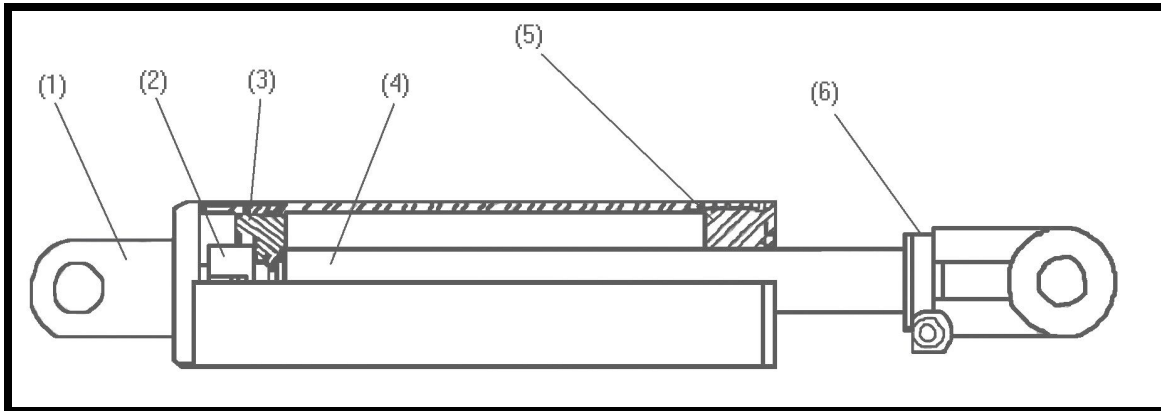




## INNER TUB PARTS PARTS LIST

<u>Ref#</u>	<u>BMI#</u>		<u>Description</u>	<u>Qty.</u>
	<b>GREEN</b>	<b>YELLOW</b>		
1	10260		Rotor	1
	13538	17401	10" Rotor	1
	13542		8" Rotor	1
2	10221		1 15/16" Rotor Bearings	2
Not Shown	10270		1/8" NPT Grease Zerk	2
Not Shown	10274		5/8" x 1 3/4" NF Bolt	8
Not Shown	15398		5/8" Flange Locknut	8
Not Shown	10229	17602	Rotor Twine Guard	2
Not Shown	10229	17602	Beater Twine Guard	4
Not Shown	13806		3/8" x 1" NC Bolt	20
Not Shown	11818		3/8" Serrated Flange Nut	22
Not Shown	13772		3/8" Flat Washer	2
Not Shown	13768		3/8" x 1 1/4" NC Bolt	2
3	10268		1 15/16" Lock Collar	2
4	10227		Split Collar	1
5	12802	17603	Beaters	2
6	10038		1 3/4" Bearings (Beaters)	2
Not Shown	10270		1/8" NPT Grease Zerk	2
Not Shown	14461		1/2" x 1 1/2" NC Bolt	8
Not Shown	10278		1/2" Serrated Flange Nut	8
7	10040		1 3/4" Lock Collar	2
8	10045		Hydraulic Beater Motors	2
Not Shown	10172		1/2" x 2 1/2" NC Socket Head bolt	8
Not Shown	10183		1/2" Lock Washer	8
Not Shown	10278		1/2" NC Serrated Flange Nut	8
9	10021		Coupler Assembly	2
10	10463	17604	Hoop	11
Not Shown	13769		3/8" x 2 1/4" NC Bolt	11
Not Shown	13802		3/8" NC Locknut	11
Not Shown	13806		3/8" x 1" NC Bolt	22
Not Shown	13802		3/8" NC Locknut	22
11	10514	17605	Charging Panel	1
12	10223	17460	Flail (Replace in Pairs)	30
13	10443		Shoulder Bolt	30
14	10005		Flail Bushing	30
15	10007		3/4" NC Locknut	30
16	10513	19431	Hoop Adjustment Shackle	2
Not Shown	14461		1/2" x 1 1/2" NC Bolt	4
Not Shown	16345		1/2" Fender Washer	4
Not Shown	10239		1/2" Bushing	4
Not Shown	14443		1/2" NC Locknut	4

## HYDRAULIC CYLINDER (FORKS)

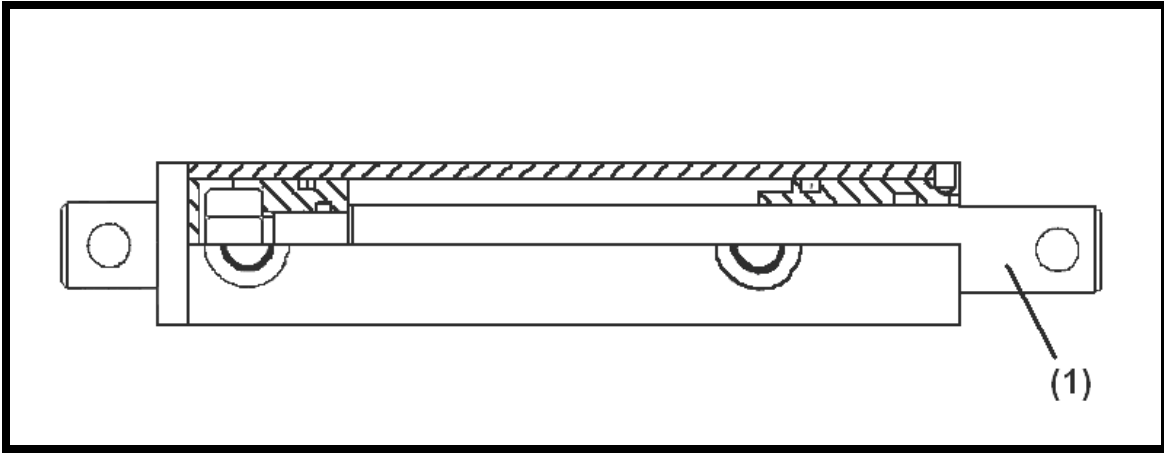


## HYDRAULIC CYLINDER (FORKS)

### PARTS LIST

<u>Ref#</u>	<u>BMI#</u>	<u>HY-SPEC#</u>	<u>Description</u>	<u>Qty.</u>
	10517	17441	Hydraulic Cylinder Assembly	
1	10522		Barrel Assembly w/Clevis	1
2	10062		Lock Nut Piston Rod	1
3	10519		Piston 2.5" Dia.	1
4	10058	17610	Cylinder Shaft	1
5	10060		Gland	1
6	10061		Clevis	1
Not Shown	10521	17609	Seal Kit	1

## HYDRAULIC CYLINDER (DEFLECTOR)

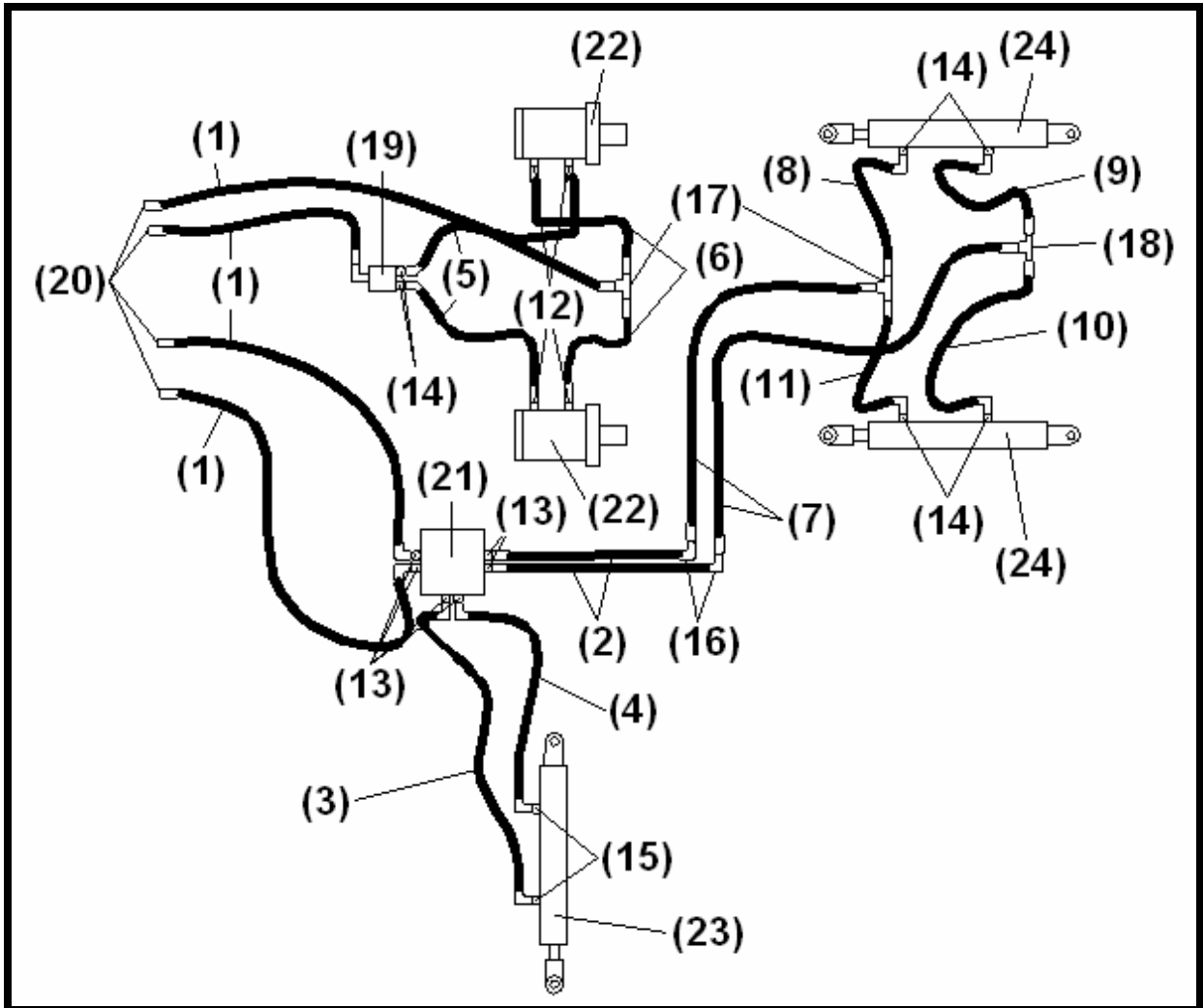


## HYDRAULIC CYLINDER (DEFLECTOR)

### PARTS LIST

<u>Ref#</u>	<u>BMI#</u>	<u>HY-SPEC#</u>	<u>Description</u>	<u>Qty.</u>
	10317	17442	Hydraulic Cylinder Assembly	1
1	16746	17614	1" Cylinder Shaft	1
Not Shown	10318	17613	Seal Kit	1

## HYDRAULIC SCHEMATICS



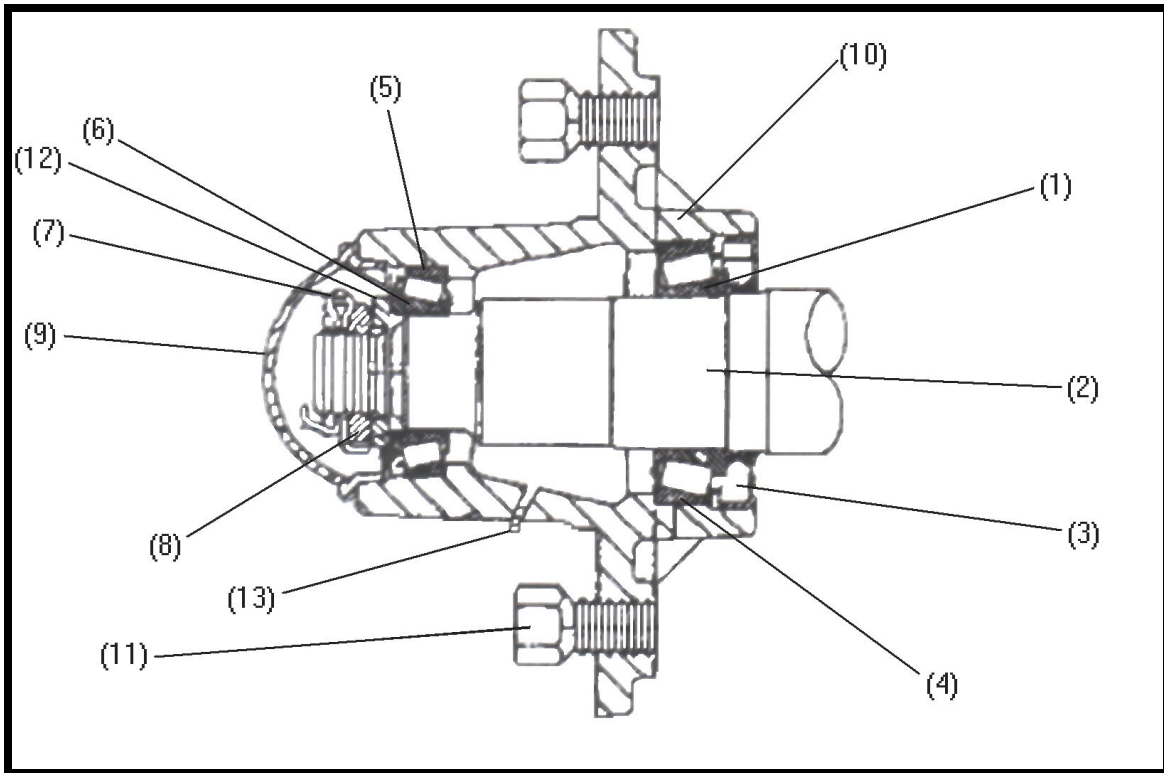
## HYDRAULIC SCHEMATICS

### PARTS LIST

<u>Ref#</u>	<u>BMI#</u>	<u>HY-SPEC#</u>	<u>Description</u>	<u>Qty.</u>
1	11727		Hose - 102" OAL 8MP – 6FJX90	4
2	10194		Hose - 54" OAL 6FJX – 6FJX	2
3	11733		Hose - 29" OAL 6FJX90 – 6FJX90	1
4	11734		Hose - 23" OAL 6FJX90 – 6FJX90	1
5	11726		Hose - 21" OAL 8FJX – 6FJX45	2

<u>Ref#</u>	<u>BMI#</u>	<u>HY-SPEC#</u>	<u>Description</u>	<u>Qty.</u>
6	11724		Hose - 17" OAL 8FJX – 6FJX	2
7	10190		Hose - 80" OAL 6FJX – 6FJX	2
8	11735		Hose - 22" OAL 6FJX – 6FJX90	1
9	11736		Hose - 22" OAL 6FJX90 – 6FJX90	1
10	11737		Hose - 48" OAL 6FJX – 6FJX90	1
11	11738		Hose - 54" OAL 6FJX - 6FJX90	1
12	10161		Adapter – 10MB – 8MJ	4
13	11739		Adapter – 10MB – 6MJ	7
14	11740		Adapter – 8MB – 6MJ	6
15	10162	17436	Adapter – 6MB – 6MJ	2
16	10187		Adapter – 6MJ – 6MJ90BH	2
17	10188		Adapter – 6MJBH – 6MJT	2
18	11741		Adapter – 6MJRBH – 6MJT	1
19	11742		Splitter	1
20	10167	17379	Pioneer Male Tips	4
21	11743		Diverter	1
22	10045		Hydraulic Beater Motors	2
Not Shown	10048		Seal Kit	1
23	10317	17442	Deflector Hydraulic Cylinder(See Pg14)	1
24	10517	17441	Fork Hydraulic Cylinder (See Pg13)	2

## HUB ASSEMBLY

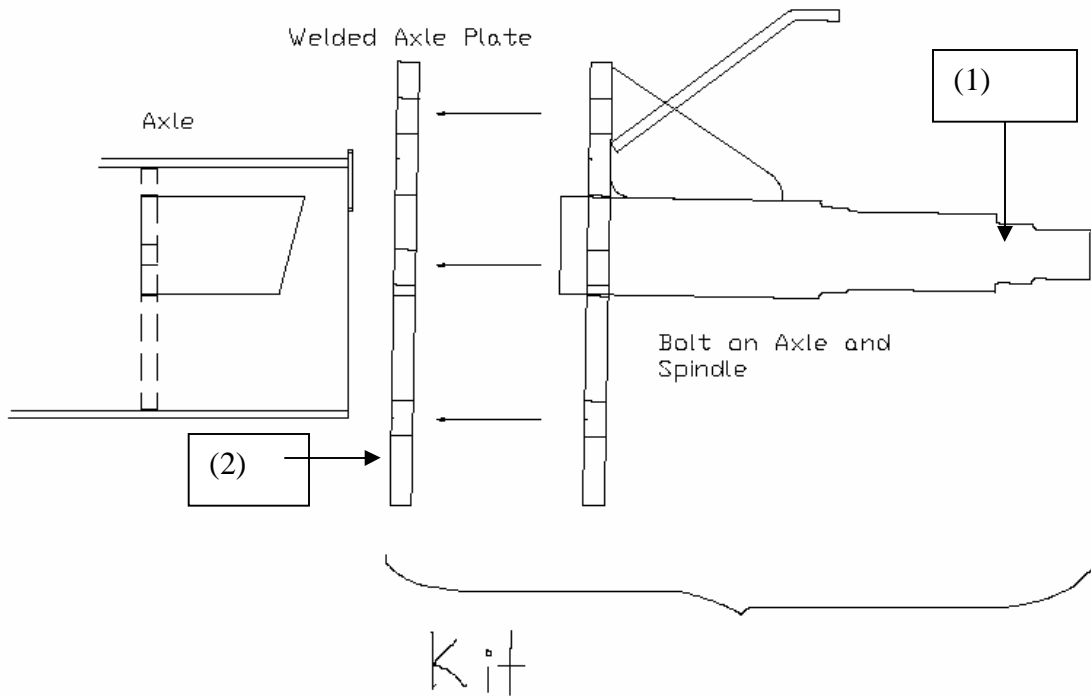


## HUB ASSEMBLY

### PARTS LIST

<u>Ref#</u>	<u>BMI#</u>	<u>Description</u>	<u>Qty.</u>
1	10067	Inside Cone	2
2	10065	Spindle w/nut	2
3	10066	Dirt Seal	2
4	10068	Inside Cup	2
5	10070	Outside Cup	2
6	10069	Outside Cone	2
7	10072	3/16" x 1 1/2" Cotter Pin	2
8	10153	Castle Nut	2
9	10073	Dust Cap	2
10	10074	Hub w/Grease Zerk	2
11	10347	9/16" x 1 3/4" NF Wheel Stud	12
12	10071	Washer	2
13	10280	1/4" Grease Zerk	2

## Axle Repair Kit

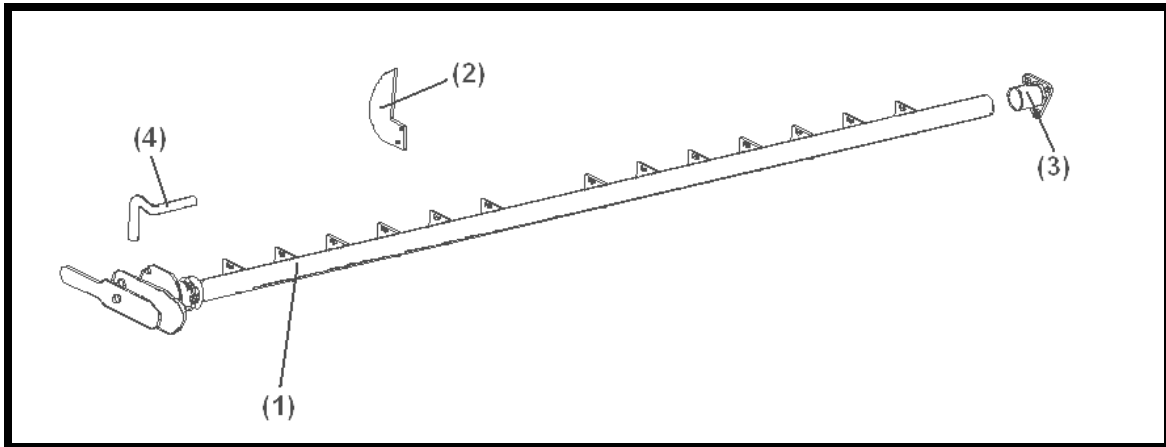


## Axle Repair Kit

### PARTS LIST

<u>Ref#</u>	<u>BMI#</u>	<u>Description</u>	<u>Qty.</u>
Kit	17647	Axle repair kit spindle	1
1	17648	17354 spindle assembly	1
2	N/A	weldment plate	1
Not Shown	17665	Gusset	1
Not Shown	13800	bolt $\frac{3}{4}$ x 2 NC	6
Not Shown	12455	Nut $\frac{3}{4}$ NC	6
Not Shown	13795	Lock Washer $\frac{3}{4}$	6

## FINE CHOP OPTION (SIDE MOUNT)



## FINE CHOP OPTION (SIDE MOUNT)

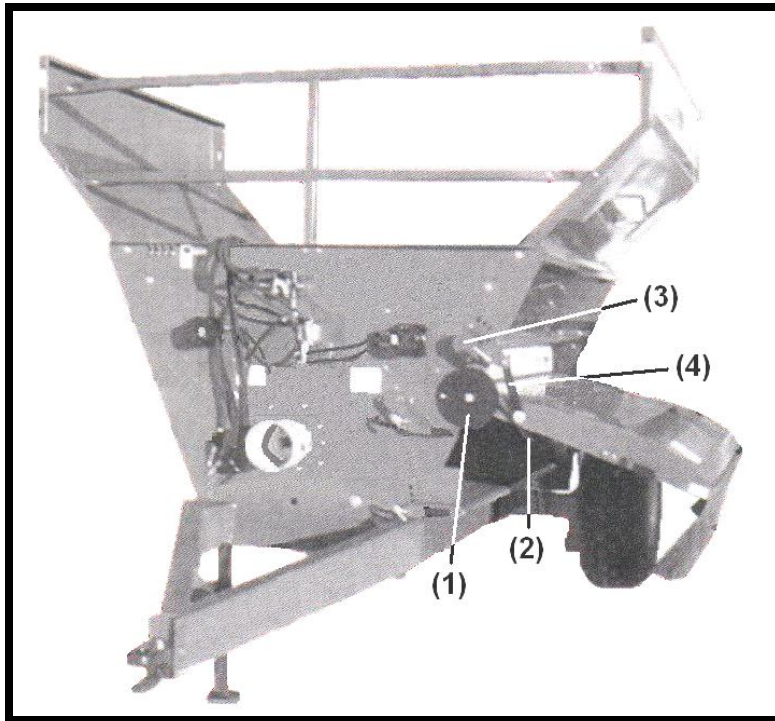
### PARTS LIST

<u>Ref#</u>	<u>BMI#</u>		<u>Description</u>	<u>Qty.</u>
	<b>GREEN</b>	<b>YELLOW</b>		
	<b>12499</b>	<b>17398</b>	<b>Fine Chop Option (Side Mount)</b>	
<b>1</b>	<b>11771</b>	<b>17409</b>	<b>Handle and Pipe Assembly</b>	<b>1</b>
<b>2</b>	<b>10404</b>		<b>Knife</b>	<b>14</b>
Not Shown	<b>11810</b>		<b>1/4" x 1" NC Bolts</b>	<b>28</b>
Not Shown	<b>15402</b>		<b>1/4" NC Locknut</b>	<b>28</b>
<b>3</b>	<b>13450</b>	<b>17410</b>	<b>Sleeve Bracket</b>	<b>1</b>
Not Shown	<b>13806</b>		<b>3/8" x 1" NC Bolt</b>	<b>7</b>
Not Shown	<b>11818</b>		<b>3/8" Serrated Flange Nut</b>	<b>7</b>
<b>4</b>	<b>10231</b>		<b>Plated Handle</b>	<b>1</b>
Not Shown	<b>10297</b>		<b>Rubber Handle</b>	<b>1</b>
Not Shown	<b>10302</b>		<b>3/16" x 1 1/4" Roll Pin</b>	<b>1</b>
Not Shown	<b>10301</b>		<b>Compression Spring</b>	<b>1</b>
Not Shown	<b>12792</b>		<b>Split Collar</b>	<b>1</b>



## MODELS WITH SERIAL # BK3182 AND BELOW

### SPRING ASSISTED DEFLECTOR



### SPRING ASSISTED DEFLECTOR

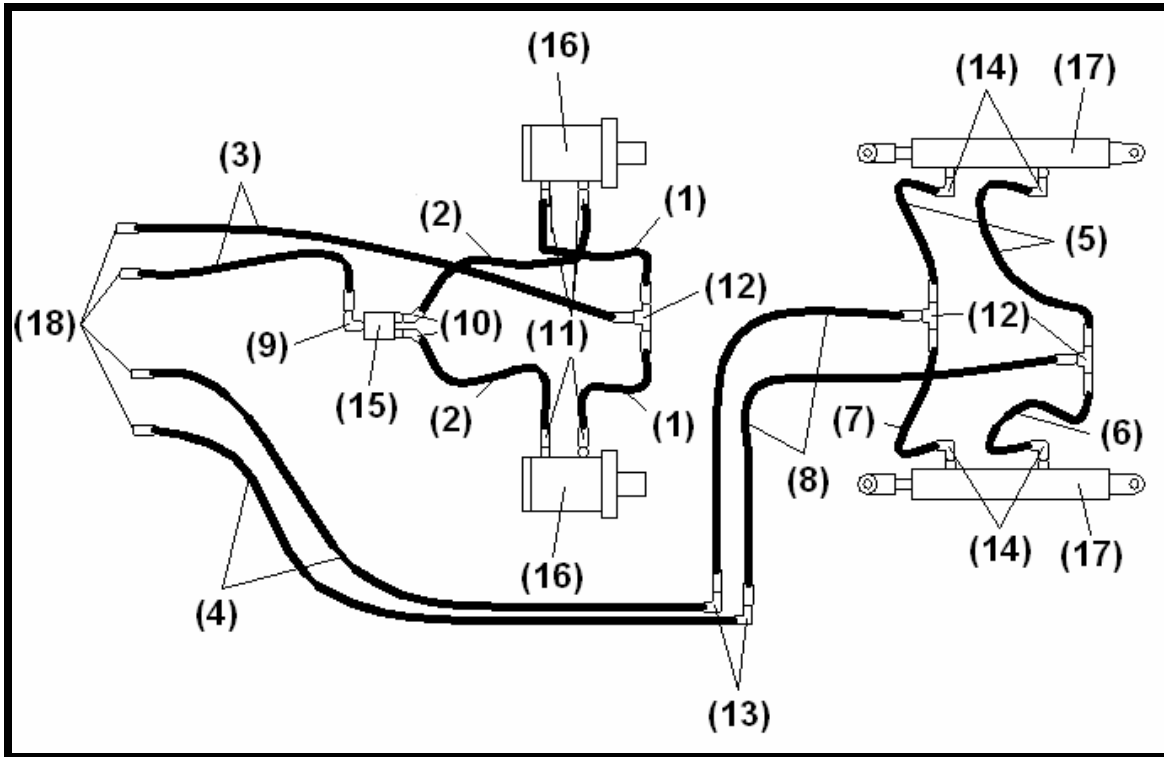
#### PARTS LIST

<u>Ref#</u>	<u>BMI#</u>	<u>Description</u>	<u>Qty.</u>
1	10474	Spring Plate	2
Not Shown	14461	1/2" x 1 1/2" NC Bolt	2
Not Shown	15403	1/2" x 1 3/4" NC Bolt	2
Not Shown	16345	1/2" Fender Washer	2
Not Shown	10239	Bushing 1/2" x 1 1/4"	2
Not Shown	10506	Spring Bushing 9/16" x 2" x 1/2"	2
Not Shown	10507	Spacer 5/8" x 3/4" x 1/2"	2
Not Shown	14443	1/2" NC Locknut	2
Not Shown	10278	1/2" Serrated Flange Nut	2
2	10422	Left Spring Front on LH Machine	1
	10423	Right Spring on Rear on the LH Machine	1
3	10828	Lift Assembly (includes next 3 items)	1

<u>Ref#</u>	<u>BMI#</u>	<u>Description</u>	<u>Qty.</u>
Not Shown	10231	Plated S Handle	1
Not Shown	10301	Compression Spring	1
Not Shown	10302	Roll Pin	1
Not Shown	13806	3/8" x 1" NC Bolt	6
Not Shown	11818	3/8" Serrated Flange Nut	6
4	10475	Linkage, Main Deflector	2
Not Shown	10512	Spring Guide	2
Not Shown	14461	1/2" x 1 1/2" NC Bolt	2
Not Shown	10278	1/2" Serrated Flange Nut	2
Not Shown	16345	1/2" Fender Washer	4
Not Shown	10239	Bushing 1/2" x 1 1/4"	4

**\* Replaces items 16 – 18 on Bale King, upto Serial #BK3183 in *External Parts and Controls* section**

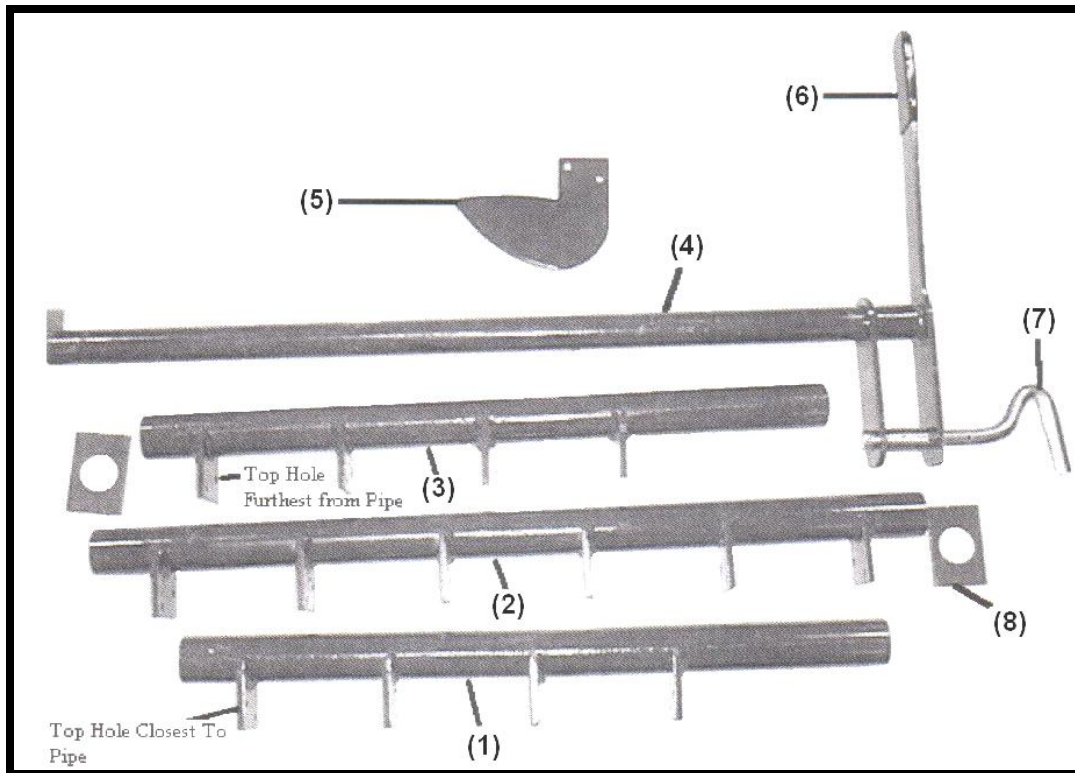
## HYDRAULIC SCHEMATICS



### PARTS LIST

<u>Ref#</u>	<u>BMI#</u>	<u>Description</u>	<u>Qty.</u>
1	10197	Hose - 21" OAL 6FJX - 8FJX	2
2	10198	Hose - 18" OAL 6FJX - 8FJX	2
3	10196	Hose - 102" OAL 6FJX - 8MP	2
4	10195	Hose - 120" OAL 6FJX - 8MP	2
5	10191	Hose - 22" OAL 6FJX - 6FJX	2
6	10193	Hose - 48" OAL 6FJX - 6FJX	1
7	10194	Hose - 54" OAL 6FJX - 6FJX	1
8	10190	Hose - 80" OAL 6FJX - 6FJX	2
9	10200	Adapter - 8MB - 6MJ90	1
10	11725	Adapter - 8MB - 6MJ45	2
11	10161	Adapter - 10MB - 8MJ	4
12	10188	Adapter - 6MJBH - 6MJT	3
13	10187	Adapter - 6MJBH - 6MJ90	2
14	10200	Adapter - 8MB - 6MJ90	4
15	11742	Splitter	1
16	10045	Hydraulic Beater Motors	2
Not Shown	10048	Seal Kit	1
17	10517	Fork Hydraulic Cylinder (See Page 13)	2
18	10167	Pioneer Male Tips	4

## FINE CHOP OPTION (BOTTOM MOUNT)

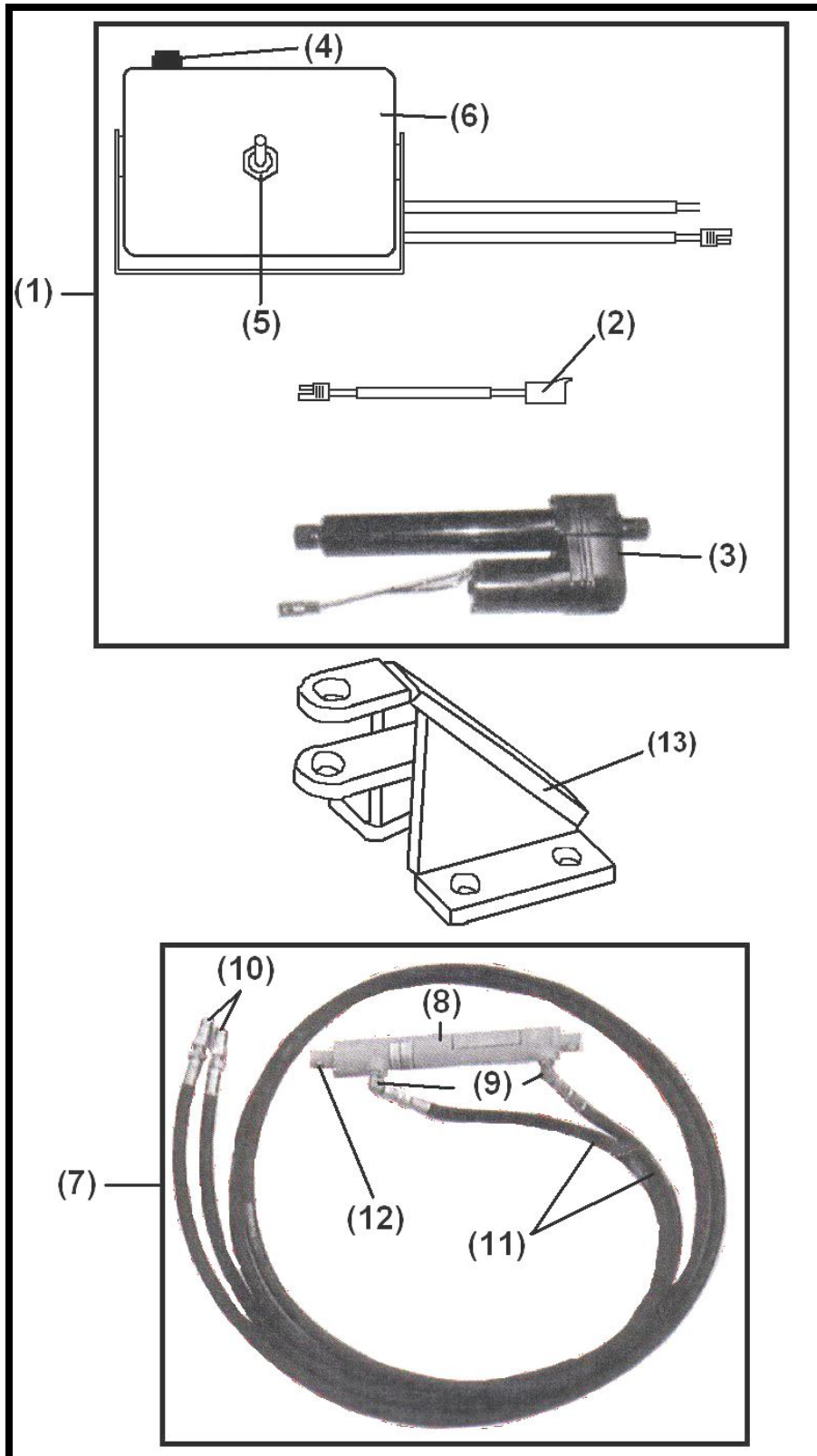


## FINE CHOP OPTION (BOTTOM MOUNT)

### PARTS LIST

<u>Ref#</u>	<u>BMI#</u>		<u>Description</u>	<u>Qty.</u>
	<b>GREEN</b>	<b>YELLOW</b>		
1	10525		End Knife Holder	1
2	10526		Middle Knife Holder	1
3	10527		End Knife Holder	1
4	10523		Handle w/Pipe	1
5	10404		Knife	14
6	10297		Rubber Handle	1
7	10231		Plated Handle	1
Not Shown	10302		3/16" x 1 1/4" Roll Pin	1
8	10524		Rectangular Spacer	2
Not Shown	10301		Compression Spring	1
Not Shown	13806		3/8" x 1" NC Bolt	4
Not Shown	13802		3/8" NC Locknut	4
Not Shown	11810		1/4" x 1" NC Bolt	28
Not Shown	15402		1/4" NC Locknut	28

## Optional Attachments Units with Spring Assist Deflector



## Optional Attachments Units with Spring Assist Deflector

### PARTS LIST

<u>Ref#</u>	<u>BMI#</u>	<u>Description</u>	<u>Qty.</u>
	GREEN    YELLOW		
1	10307	Electric Lift Attachment (Side Deflector)	1
2	10309	Cable 13'	1
3	10311	Electric Actuator	1
4	10312	Fuse Holder	1
Not Shown	10313	Fuse AGC 25	1
5	10314	3 – Way Switch	1
6	10315	Box Assembly w/ Harness	1
7	10316	Hydraulic Lift Attachment	1
8	10317    17442	Hydraulic Cylinder Assembly(See Pg14)	1
Not Shown	10318    17613	Seal Kit	1
9	10201	Adaptor – 6MB – 6MJ90	2
10	10167	Pioneer Male Tips	2
11	10320	Hose – 120"	2
12	15396	1/2" x 3" NC Bolt	1
Not Shown	10239	1/2" x 1 1/4" Plated Bushing	2
Not Shown	13804	1/2" x 2" NC Bolt	1
Not Shown	14443	1/2" NC Locknut	2
13	10516    17594	Bracket Hydraulic and Electric Lift	1
Not Shown	13806	3/8" x 1" NC Bolt	4
Not Shown	13802	3/8" NC Locknut	4
Not Shown	13559	Transport Safety Latch, Includes following items:	
	13560	Safety Latch	1
	13233	Lynch Pin	1
	13232	1/2" x 2 1/4" NC Bolt	1
	13231	1/2" x 2 1/2" NC Stabilizer Pin	2
	10278	1/2" Serrated Flange Nut	6
	13194	Decal, Transport Safety Lock	1