

PARTS MANUAL

BALE KING

VORTEX 3100

BALE KING GREEN & DEGELMAN BALE KING YELLOW

MODELS



BRIDGEVIEW

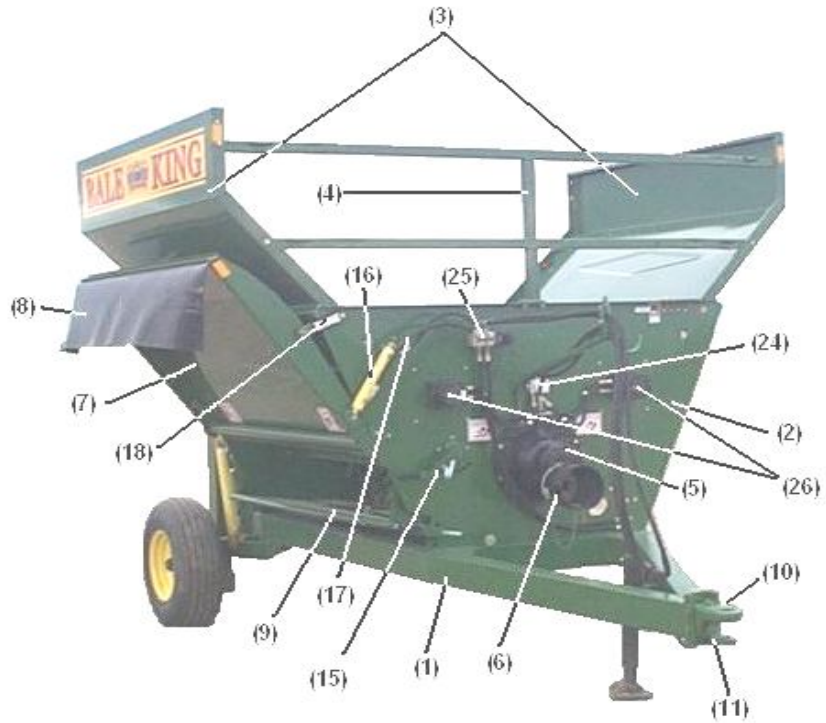
MANUFACTURED BY: BRIDGEVIEW MANUFACTURING INC.
P.O. BOX 4
GERALD, SASK. CANADA
S0A 1B0
PHONE: (306) 745-2711
FAX: (306) 745-3364

TABLE OF CONTENTS

BALE KING VORTEX 3100

EXTERNAL PARTS AND CONTROLS.....	1 - 4
SWITCH.....	4A
PTO ASSEMBLIES.....	5 - 10
INNER TUB PARTS.....	11 - 12
HYDRAULIC ASSEMBLIES.....	13 - 14
HYDRAULIC SCHEMATICS.....	15 - 16
RIGHT HAND GEARBOX.....	17 - 18
HUB ASSEMBLY.....	19
FINE CHOP OPTION (SIDE MOUNT).....	20
MODELS WITH SERIAL # BK2926 AND BELOW	
SPRING ASSISTED DEFLECTOR.....	21 - 22
HYDRAULIC SCHEMATICS.....	23
FINE CHOP OPTION (BOTTOM MOUNT).....	24
OPTIONAL ATTACHMENTS.....	25 - 26

EXTERNAL PARTS AND CONTROLS



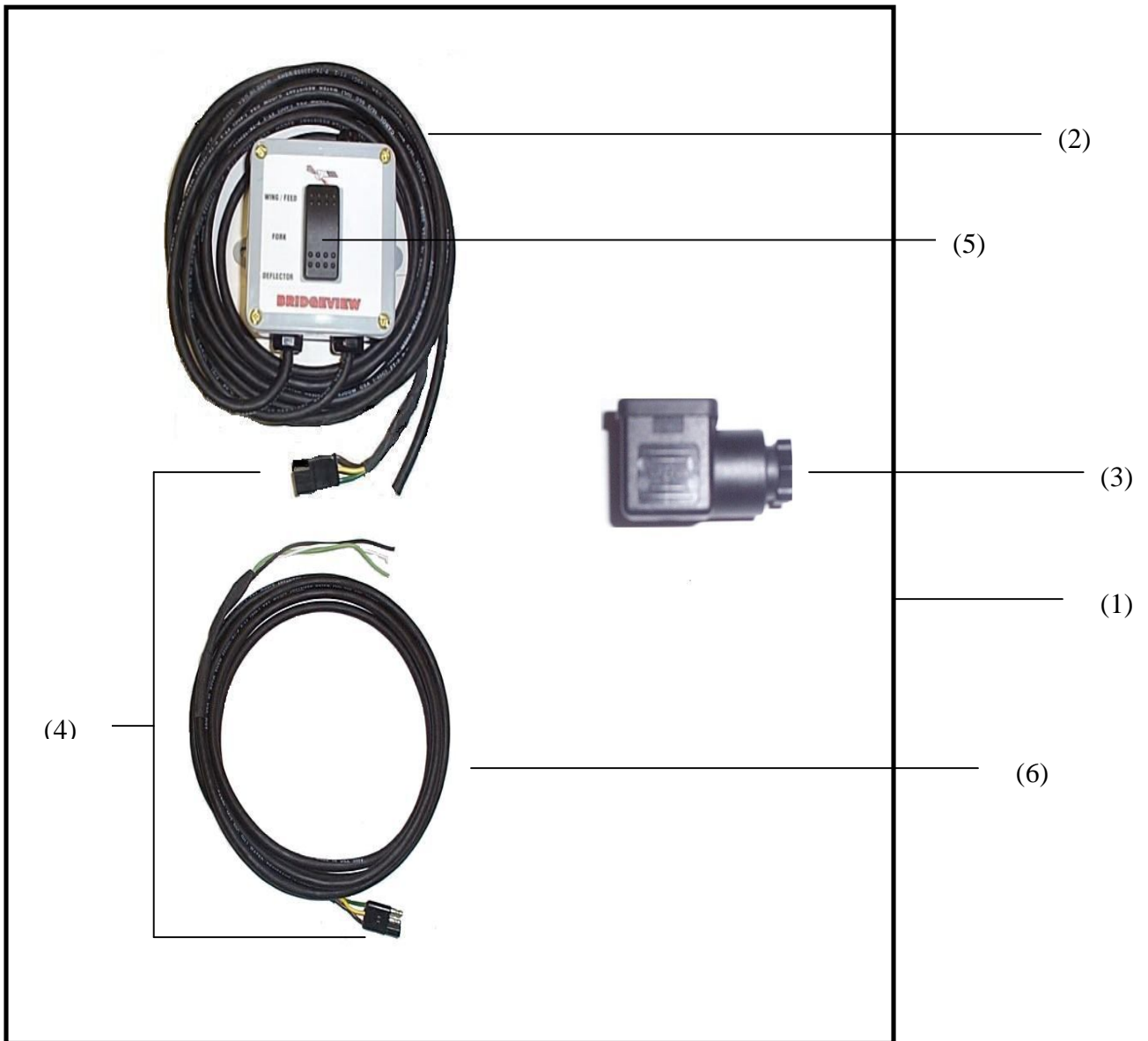
EXTERNAL PARTS AND CONTROLS

PARTS LIST

<u>Ref#</u>	<u>BMI#</u>		<u>Description</u>	<u>Qty.</u>
	GREEN	YELLOW		
1	N/A		Main Frame	1
2	N/A		Tub Assembly	1
3	10440	17856	Top Bale Shield	2
Not Shown	14461		1/2" x 1 1/2" NC Bolt (+2 for Serial# BK2926 and below)	6
Not Shown	16345		1/2" Flat Washer (+2 for Serial# BK2926 and below)	6
Not Shown	10278		1/2" Serrated Flange Nut (+2 for Serial# BK2926 and below)	6
4	10503		Front Rack (for Serial #BK3184 and below)	1
4	12903	17600	Front Rack (for Serial #BK3184 and above)	1
Not Shown	14460		1/2" x 1" NC Bolt	2
Not Shown	10278		1/2" Serrated Flange Nut	6
Not Shown	15403		1/2" x 3 1/4" NC Bolt	4
Not Shown	16345		1/2" Flat Washer	4
5	10420		Right Hand Gearbox (See Page 17)	1
Not Shown	14461		1/2" x 1 1/2" NC Bolt (Bondioli)	8
Not Shown	15403		1/2" x 1 3/4" NC Bolt (Star)	8
Not Shown	10278		1/2" Serrated Flange Nut	8
6	10421		PTO Shield	1
Not Shown	13806		3/8" x 1" NC Bolt	4
Not Shown	13773		3/8" Flat Washer	4
Not Shown	13802		3/8" NC Locknut	4
7	10478		Side Deflector(Spring Assist)	1
7	12814	17597	Side Deflector(Hydraulic Lift Style)	1
Not Shown	12815	17598	Deflector Mounts	2
Not Shown	13806		3/8" x 1" NC Bolt	6
Not Shown	13772		3/8" Flat Washer	6
Not Shown	11818		3/8" Serrated Flange Nut	6
Not Shown	10288	17601	Channel Rubber Deflector	1
8	10477		Rubber Deflector 18"	1
Not Shown	13806		3/8" x 1"NC Bolt	8
Not Shown	13802		3/8" NC Locknut	8
9	10825		Bottom Deflector	1
Not Shown	11662		5/16" x 3/4" Carriage Bolt	6
Not Shown	11815		5/16" Serrated Flange Nut	6
Not Shown	14461		1/2" x 1 1/2" NC Bolt	2
Not Shown	14443		1/2" NC Locknut	2

<u>Ref#</u>	<u>BMI#</u>		<u>Description</u>	<u>Qty.</u>
	GREEN	YELLOW		
Not Shown	16345		1/2" Fender Washer	2
Not Shown	10239		Deflector Bushing	2
Not Shown	13806		3/8" x 1" NC Bolt	2
Not Shown	11818		3/8" Serrated Flange Nut	2
Not Shown	10231		Plated S-Handle	1
Not Shown	10301		Compression Spring	1
Not Shown	10302		Roll Pin	1
Not Shown	10297		Rubber Grip	1
10	10452	17592	Tongue Hitch	1
11	10453	17593	Clevis for Tongue Hitch	1
Not Shown	10802		3/4" x 5 3/4" NC Bolt	2
Not Shown	10007		3/4" NC Locknut	2
12	10285		Implement Jack	1
13	10077		11L x 15 Tire	2
14	10287		8" x 15" 6 - Bolt Rim--Yellow(Ag-White)	2
15	10826	19429	Hoop Height Adjuster	1
Not Shown	13806		3/8" x 1" NC Bolt	4
Not Shown	11818		3/8" Serrated Flange Nut	4
Not Shown	10297		Rubber Handle Cover	1
Not Shown	10231		Plated S Handle	1
Not Shown	10301		Compression Spring	1
Not Shown	10302		Roll Pin	1
16	10317	17442	Deflector Hydraulic Cylinder(See Pg13)	1
Not Shown	10801		1/2" x 3 1/2" NC Bolt	1
Not Shown	15397		1/2" x 3 3/4" NC Bolt	1
Not Shown	14443		1/2" NC Locknut	2
17	10516	17594	Deflector Cylinder Mount (Front Plate)	1
Not Shown	13806		3/8" x 1" NC Bolt	4
Not Shown	11818		3/8" Serrated Flange Nut	4
Not Shown	15711	17595	Deflector Cylinder Mount (Deflector)	1
Not Shown	13806		3/8" x 1" NC Bolt	4
Not Shown	11818		3/8" Serrated Flange Nut	4
18	13560	19430	Safety Transport Link	1
Not Shown	13233		Lynch Clip	1
Not Shown	13232		1/2" x 2 1/4" NC Bolt	1
Not Shown	13231		1/2" x 2 1/2" NC Stabilizer Pin	2
Not Shown	10278		1/2" Serrated Flange Nut	6
19	10511	17976	Rear Fork Frame	1
20	10361		Pivot Pipe	1
Not Shown	10504		3" Rubber Cap	2
Not Shown	15397		1/2" x 3 3/4" NC Bolt	1
Not Shown	14443		1/2" NC Locknut	1
Not Shown	10280		1/4" Grease Zerk	2
Not Shown	10580		1/4" x 2" Cotter Pin	2

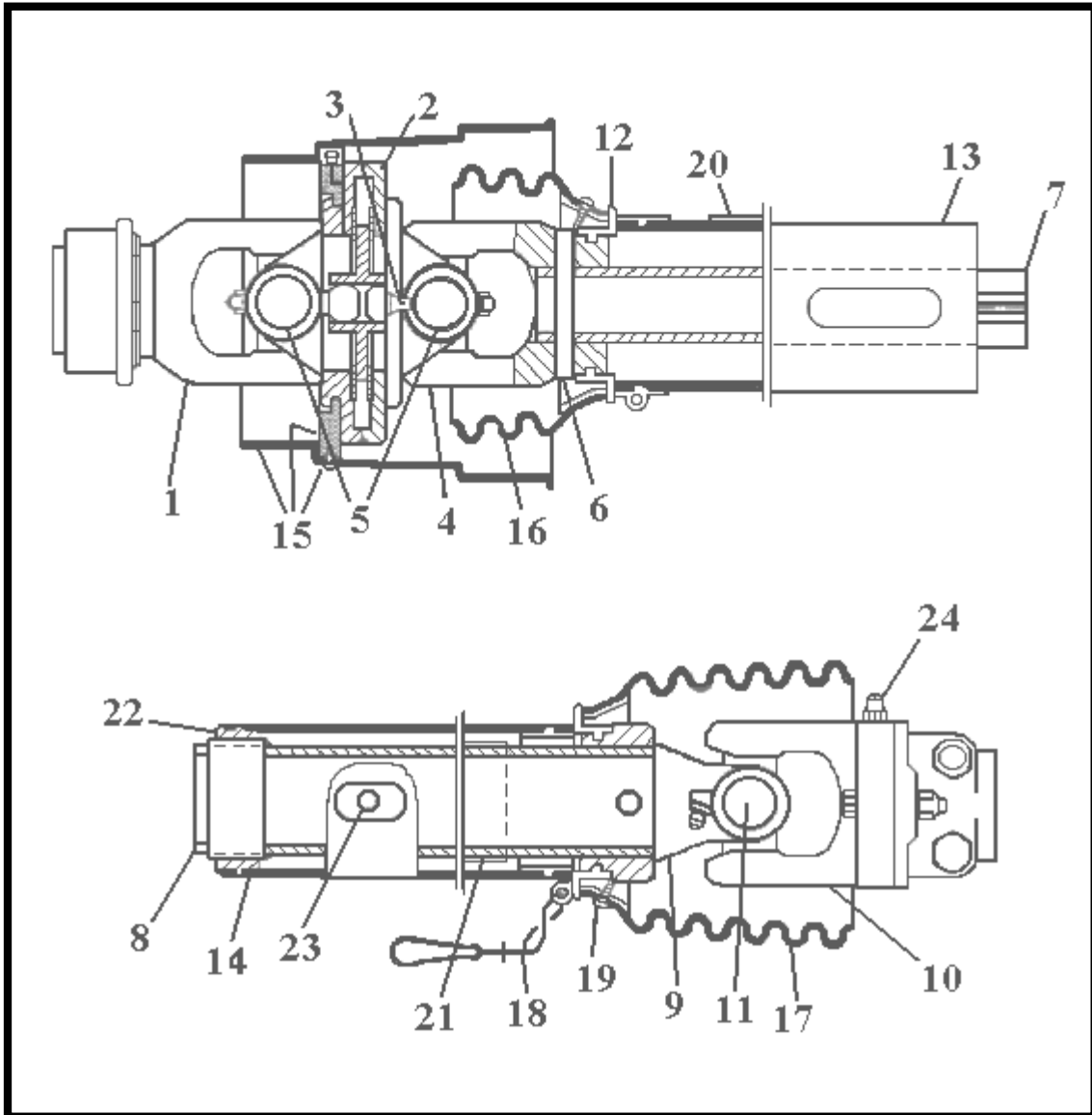
<u>Ref#</u>	<u>BMI#</u>		<u>Description</u>	<u>Qty.</u>
	GREEN	YELLOW		
21	10303	17606	Bale Tine	2
22	10234	17559	Small Bale Tine (Optional)	2
Not Shown	10031		Headed Pin	2
Not Shown	10072		3/16" x 1 1/2" Cotter Pin	2
23	10517	17441	Fork Hydraulic Cylinder (See Page 14)	2
Not Shown	10339		Butt End Cylinder Pin	2
Not Shown	10341		Ram End Cylinder Pin	2
Not Shown	10580		1/4" x 2" Cotter Pin	8
Not Shown	16640		Cylinder Safety Lock	1
Not Shown	12050		PTO Clip, Safety Lock	1
24	11742		Splitter (See Page 15)	1
Not Shown	13761		1/4" x 2" NC Bolt	2
Not Shown	15402		1/4" NC Locknut	2
Not Shown	13763		1/4" Washer	2
25	11743		Diverter (See Page 15)	1
Not Shown	11783		5/16" x 3" Socket Head Bolt	2
Not Shown	15870		5/16" NC Locknut	2
26	11045		Hydraulic Motors (See Page 15)	2
Not Shown	16625	17589	PTO and Hose Holder	1
Not Shown	10510		Cover Fine Chop	2
Not Shown	10807		3/8" x 3/4" Fin Bolt	8
Not Shown	11818		3/8" Serrated Flange Nut	8
Not Shown			Vortex Decals:	
	12186	17364	V3100	2
	12190	17361	Bale King	2
	12239		PIMA	1
	12517		Patent	1
		17360	Degelman "8.5 X 3L"	2
Not Shown			Safety Decals:	
	12229		Danger Sign (Lift Area)	2
	12230		Danger Sign	4
	12219		Caution Sign	2
	12228		SMV	1
	13324		1 1/2" x 3" Amber Reflective Decal	3
	13325		1 1/2" x 3" Red Reflective Decal	3
	13194		Decal Transport Safety Lock	1
			(N/A before Serial# BK2927)	



PARTS LIST

<u>Ref #</u>	<u>BMI#</u>	<u>Description</u>	<u>Qty.</u>
1	11800	Complete control box with harness for 3000 series	1
2	11793	Control box complete with cab to hitch harness all 3000 & 4000 series	1
3	13657	Square plug for divertor valve	1
4	13562	3 pin trailer plug	1
5	13561	3 way switch	1
6	11794	Harness (hitch to valve) 3000 series	1

**PTO ASSEMBLY (WALTERSCHEID)
#10087**



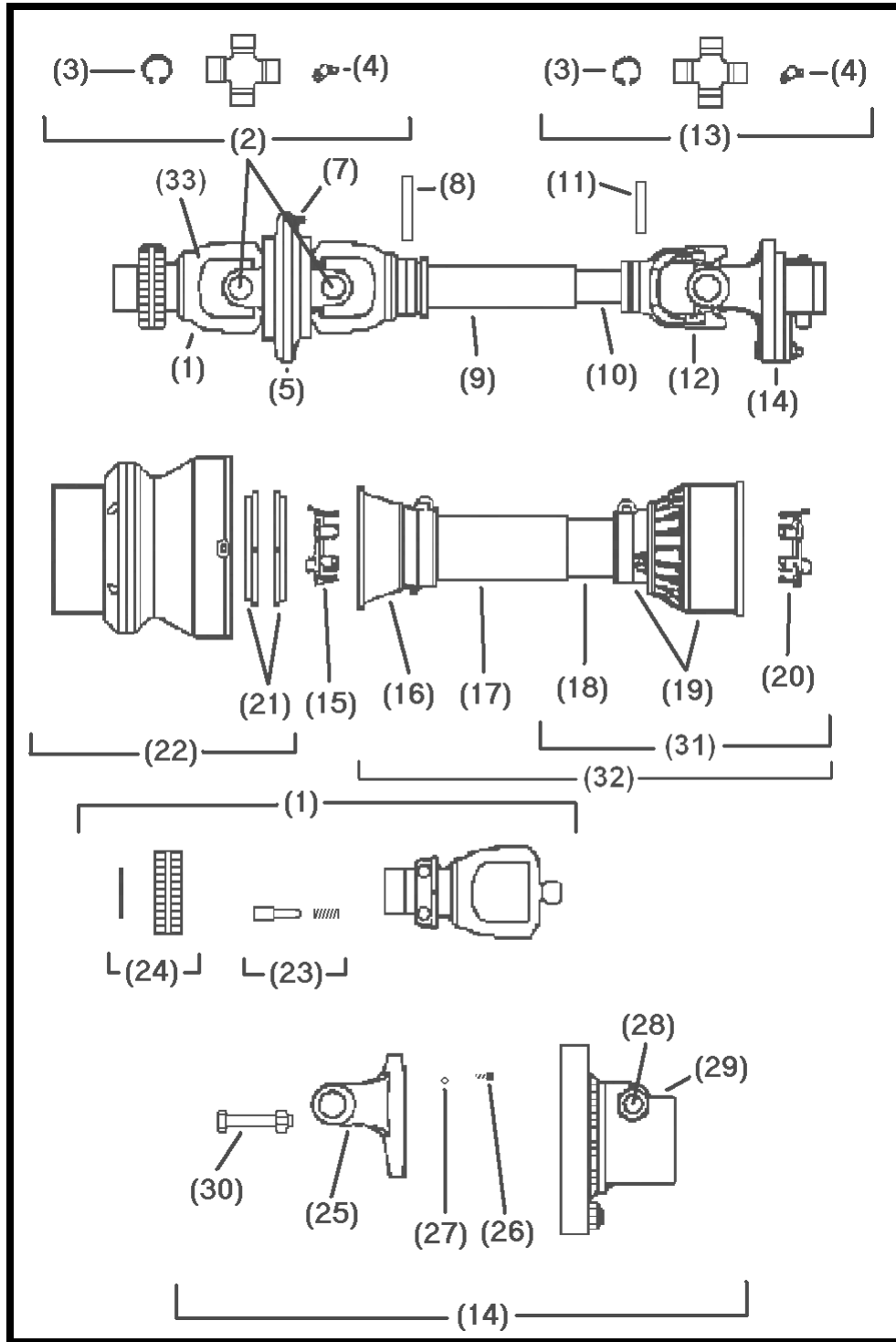
PTO ASSEMBLY (WALTERSCHEID)

PARTS LIST

<u>Ref#</u>	<u>BMI#</u>		<u>Description</u>	<u>Qty.</u>
	GREEN	YELLOW		
	10087	17388	Complete PTO Assembly	
1	10088		Yoke 1 3/8" – 21 SPL.	1
2	10090		Double Yoke	1
3	N/A		Grease Zerk (Included with item 2)	1
4	10091		Inboard Yoke 1b	1
5	10092		Cross and Bearing Kit	2
6	10093		Spring Pin	2
7	10095		Inner Profile 1bGA	1
8	10096		Profile and Sleeve W.A.	1
9	10097		Inboard Yoke 2a	1
10	10591		Shear Bolt Clutch	1
11	10094		Cross and Bearing Kit	1
12	10099		Bearing Ring SC25 Shield	2
13	10100		Outer Shield Tube, Oval Shield	1
14	10101		Inner Shield Tube, Oval Shield	1
15	10102		CV Cone and Bearing Assembly Shield	1
16	10103		Shield Cone 3 Rib	1
17	10104		Shield Cone 6 Rib	1
18	10105		Safety Chain	1
19	10108		Screw (Included with items 15, 16 ,17)	8
20	10106		Decal Outer (Included with item 13)	1
21	10107		Decal Inner (Included with item 8)	1
22	10109		Support Bearing	1
23	10110		Grease Zerk (Included with item 8)	1
24	10592		10mm Grease Zerk	10
Not Shown	10113		ASG. Col. Kit (Included with item 1)	1
Not Shown	10470		10mm x 60mm Shear Bolt	1
Not Shown	10471		10mm Locknut	1

Walterscheid: Identified by *Accordian Style* bell shield on machine end of PTO

PTO ASSEMBLY (BONDIOLI) #10114

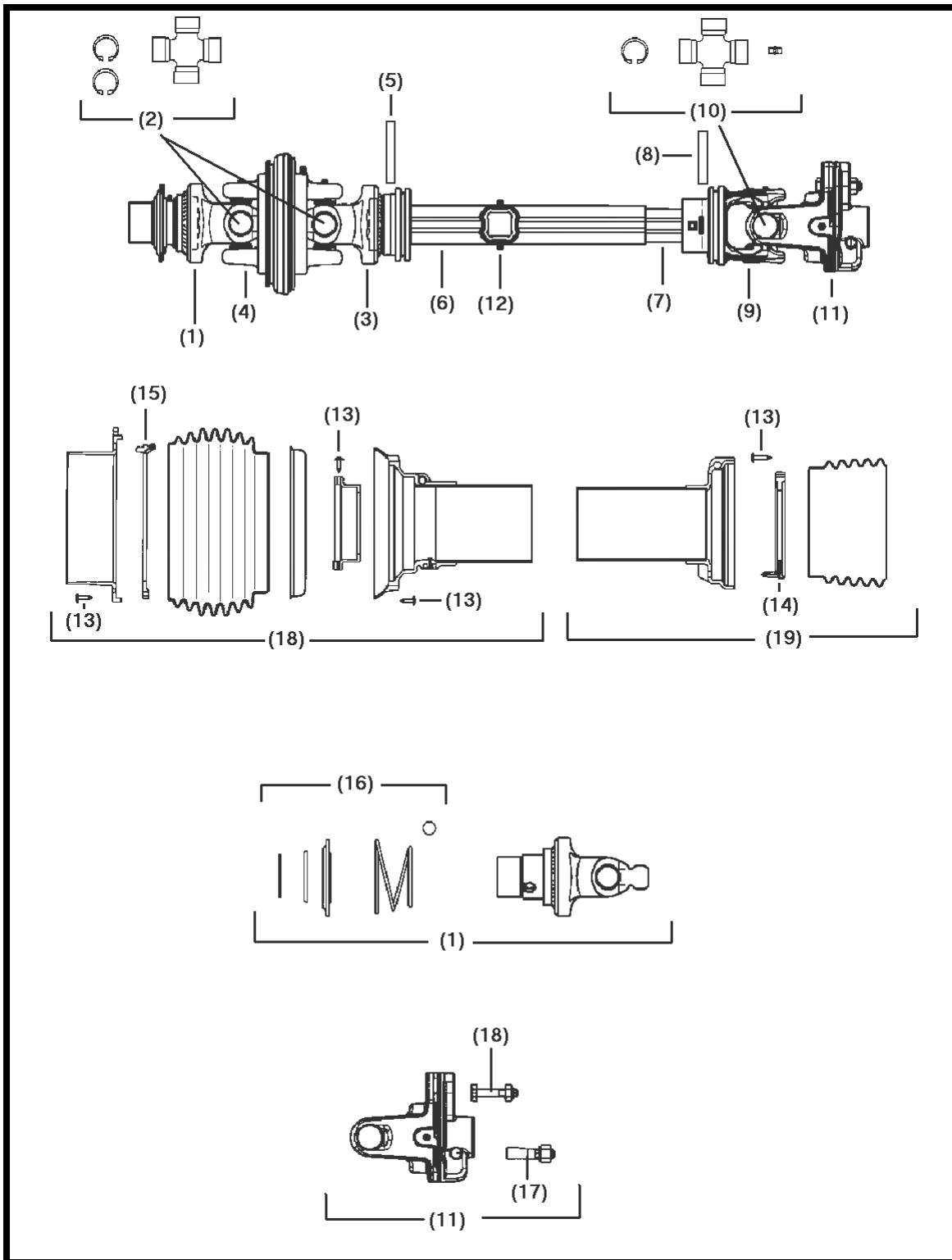


PTO ASSEMBLY (BONDIOLI)

PARTS LIST

<u>Ref#</u>	<u>BMI#</u>		<u>Description</u>	<u>Qty.</u>
	GREEN	YELLOW		
	10114	17388	Complete PTO Assembly	
1	10202		Yoke w/Bridge (Sliding Collar) 1 3/8"	1
2	10116		U-Joint Cross Kit	2
3	N/A		Circlip (Included with Cross Kit)	8
4	N/A		Grease Zerk (Included with Cross Kit)	2
5	10119		Central Body CV Joint	1
6	10120		Yoke	1
7	10121		Grease Zerk	1
8	10122		Roll Pin	1
9	10123		Cardan Tube	1
10	10124		Cardan Tube CM	1
11	10125		Roll Pin	1
12	10126		Inner Tube Yoke	1
13	10127		U-Joint Cross Kit	1
14	13703		Torque Limiter (Quick Pin Style)	1
15	10129		Shield Support 6-7	1
16	10130		Safety Cone	1
17	10131		CM Safety Tube	1
18	10132		SM Safety Tube	1
19	10133		I Cone Sets F5-6-7	1
20	10134		Shield Support 6-7	1
21	10135		Ring Nut Dowell	1
22	10136		Complete Shell	1
23	10137		Complete Push Bottom	1
24	10138		Hub	1
25	N/A		Yoke (Included w/item 13703)	1
26	10140		Grease Zerk	1
27	10141		Ball 5/16	1
28	N/A		Nut Sold with Item #29	1
29	10406		Wedge Lock on machine Yoke	1
30	10407		Shear Bolt (Pkg. of 5)	1
31	10150		Half Shaft Shield (Impl. end)	1
32	10151		Safety Shield – Complete	1
33	10152		Yoke 1 3/4" 20-Spline	1

PTO ASSEMBLY (BONDIOLI) #12574

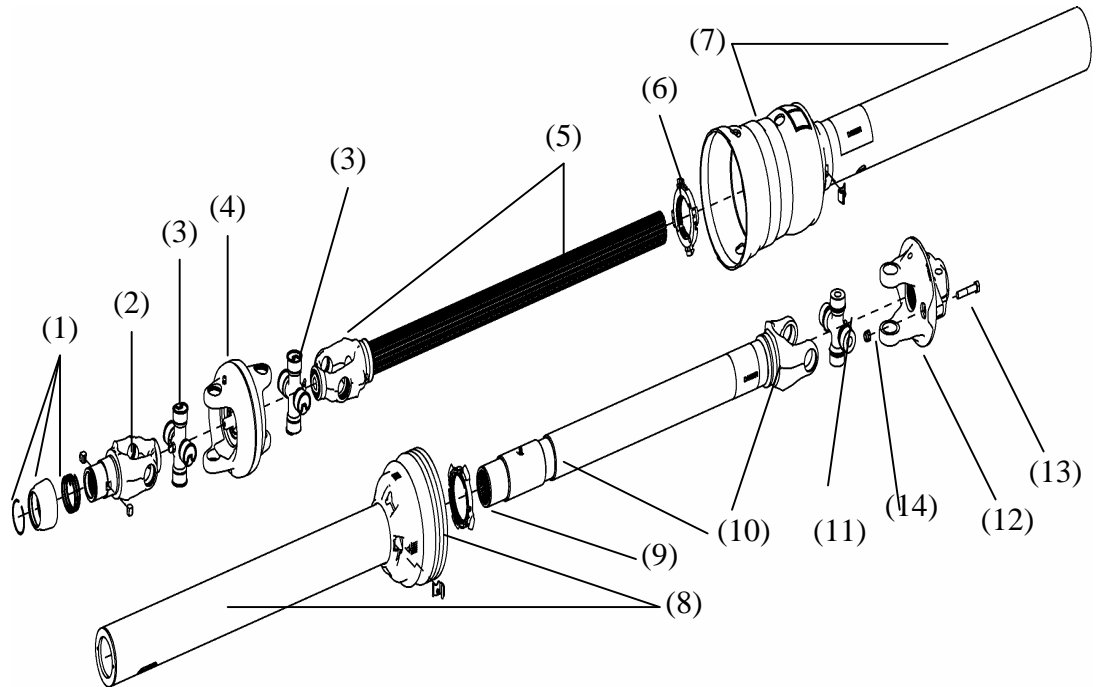


PTO ASSEMBLY (BONDIOLI)

PARTS LIST

<u>Ref#</u>	<u>BMI#</u>		<u>Description</u>	<u>Qty.</u>
	GREEN	YELLOW		
	12574	17388	Complete PTO Assembly	
1	13564		Yoke	1
2	13563		U-Joint Cross Kit	2
3	13568		Yoke	1
4	13565		CV Body	1
5	10122		Flexible Pin	1
6	13566		Cardan Tube	1
7	13567		Inner Cardan Tube	1
8	10125		Flexible Pin	1
9	13569		Yoke	1
10	13022		U-Joint Cross Kit	1
11	13570		LB Torque Limiter	1
12	13571		Grease Zerk	2
13	13572		Shield Screw	17
14	13609		Ring for Inner Cone	1
15	13610		Laufring for Front CV	1
16	13575		Lock Assembly Front CV	1
17	13577		Wedge Lock	1
18	13576		Shear Bolt	1
19	13573		Shield Assembly – Outer	1
20	13574		Shield Assembly – Inner	1

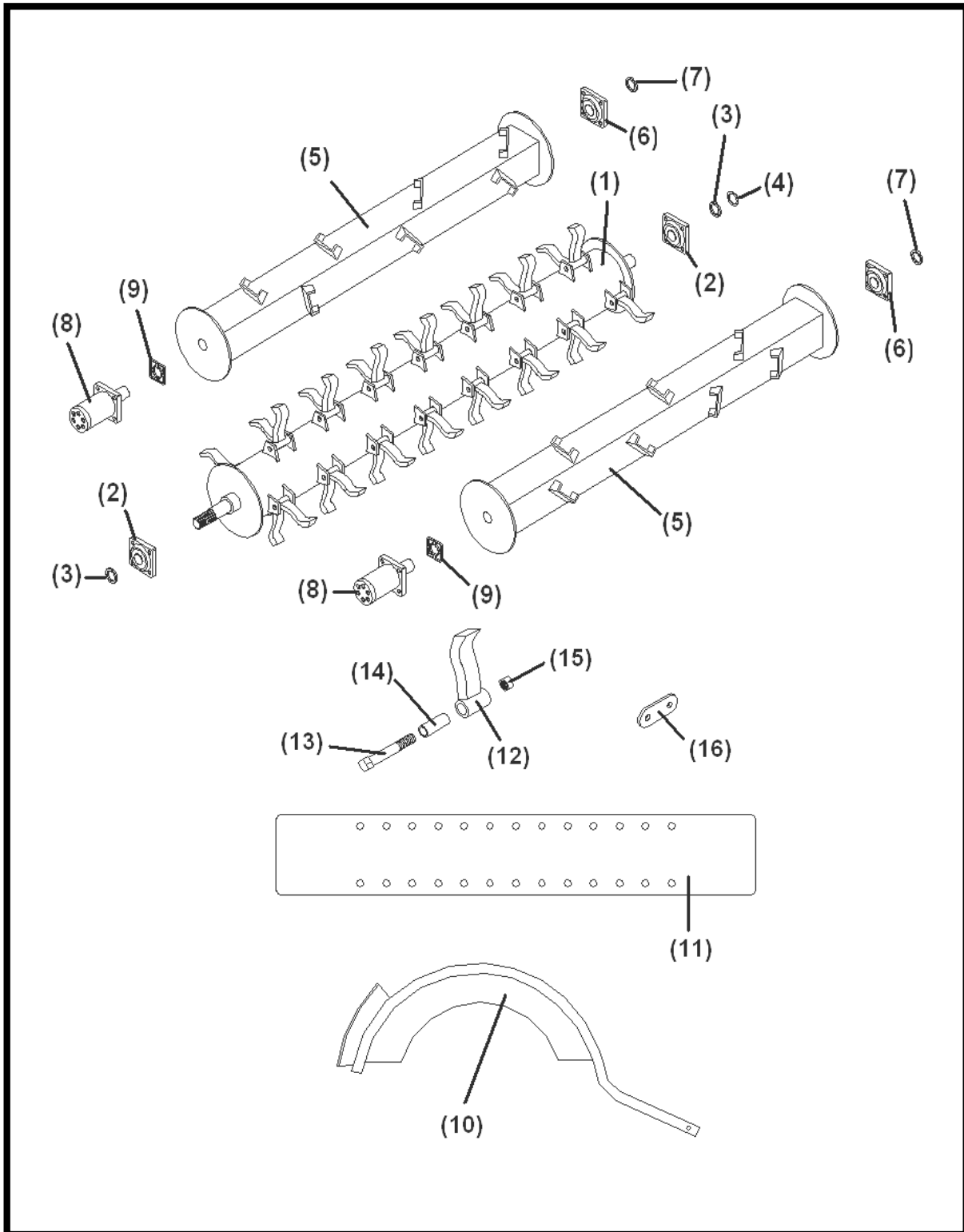
Weasler PTO SHAFT 17388



PTO ASSEMBLY (WEASLER)

<u>Ref #</u>	<u>BMI #</u>	<u>Decription</u>	<u>Qty.</u>
	17388	Complete PTO Assembly	1
1	17567	Safety Slide Lock Repair Kit	1
2	17568	Safety Slide Lock Yoke 1 3/8- 21 spline	1
3	17569	CV Cross & Bearing Kit	2
4	17570	CV Center Housing	1
5	17582	Yoke & Shaft Assy. Tractor Side	1
6	17571	Guard Repair Kit Tractor Side	1
7	17583	Outer Guard Assy Tractor Side (Item #6 incl)	1
8	17585	Inner Guard Assy Impl. Side (Item #9 incl)	1
9	17572	Guard Repair Kit Impl. Side	1
10	17584	Yoke & Tube Assy Impl. Side	1
11	17573	Cross & Bearing Kit	1
12	17581	Shear Assy.	1
13	11817	Shear Bolt 3/8 X 2 NC	1
14	17586	Nut 3/8 Lock Nut	1
15	17886	Safety Slide Lock Yoke Assy. 1 3/4 - 20 Spline	1

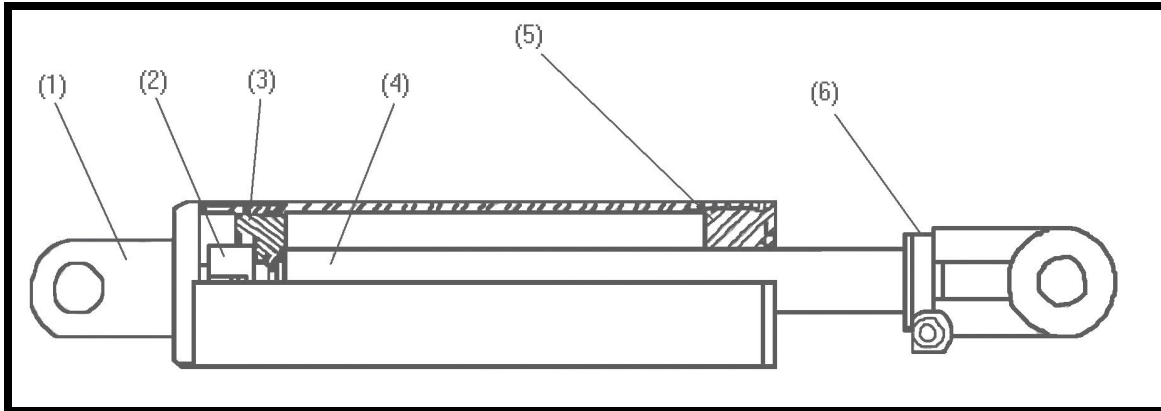
INNER TUB PARTS



INNER TUB PARTS

<u>Ref#</u>	<u>BMI#</u>		<u>PARTS LIST</u> <u>Description</u>	<u>Qty.</u>
	<u>GREEN</u>	<u>YELLOW</u>		
1	10260	13542	Rotor 8"	1
	13538	17401	10" X-rotor	1
2	10221		1 15/16" Rotor Bearings	2
Not Shown	10270		1/8" NPT Grease Zerk	2
Not Shown	10274		5/8" x 1 3/4" NF Bolt	8
Not Shown	15398		5/8" Flange Locknut	8
Not Shown	10477		Right Hand Rotor Support	1
Not Shown	15399		7/16" x 2 3/4" NC Bolt	4
Not Shown	10799		7/16" Locknut	4
Not Shown	10229	17602	Rotor & Beater Twine Guard	6
Not Shown	13806		3/8" x 1" NC Bolt	24
Not Shown	11818		3/8" Serrated Flange Nut	16
Not Shown	13802		3/8" Locknut	4
Not Shown	13772		3/8" Flat Washer	2
3	10268		1 15/16" Lock Collar	2
4	10227		Split Collar	1
5	12802	17603	Beaters	2
6	10038		1 3/4" Bearings (Beaters)	2
Not Shown	10270		1/8" NPT Grease Zerk	2
Not Shown	14461		1/2" x 1 1/2" NC Bolt	8
Not Shown	10278		1/2" Serrated Flange Nut	8
7	10040		1 3/4" Lock Collar	2
8	10045		Hydraulic Beater Motors (See Page 15)	2
Not Shown	10172		1/2" x 2 1/2" NC Socket Head bolt	8
Not Shown	10183		1/2" Lock Washer	8
Not Shown	10278		1/2" NC Serrated Flange Nut	8
9	10021		Coupler Assembly	2
10	10463	17604	Hoop	11
Not Shown	13769		3/8" x 2 1/4" NC Bolt	11
Not Shown	13806		3/8" x 1" NC Bolt	22
Not Shown	13802		3/8" NC Locknut	33
11	10514	17605	Charging Panel	1
12	10223		Flail (Replace in Pairs) for 8" Rotor	30
	10220	17460	Flail (Replace in Pairs) for 10" Rotor	30
13	10443		Shoulder Bolt	30
14	10005		Flail Bushing	30
15	10007		3/4" NC Locknut	30
16	10513	19431	Hoop Adjustment Shackle	2
Not Shown	14461		1/2" x 1 1/2" NC Bolt	4
Not Shown	16345		1/2" Fender Washer	4
Not Shown	10239		1/2" Bushing	4
Not Shown	14443		1/2" NC Locknut	4

HYDRAULIC CYLINDER (FORKS)

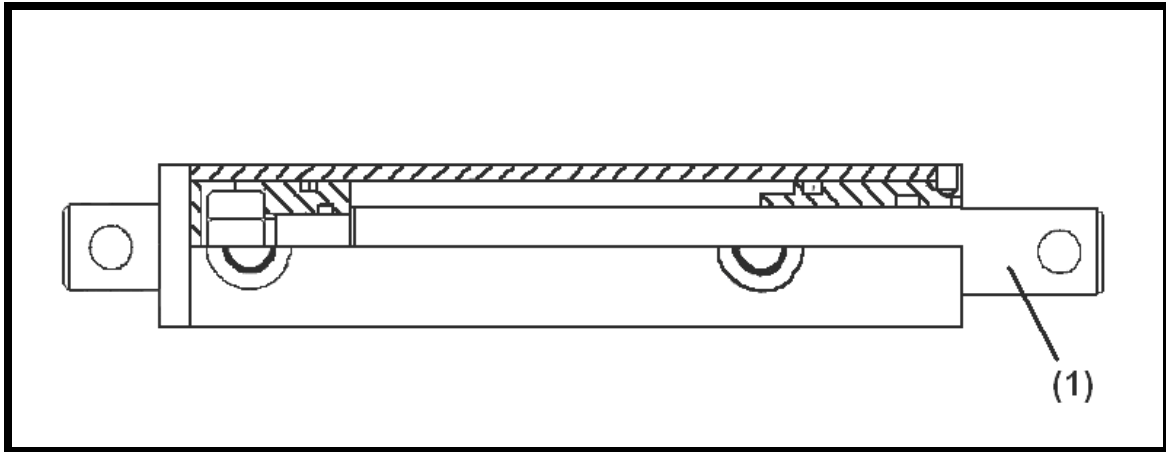


HYDRAULIC CYLINDER (FORKS)

PARTS LIST

<u>Ref#</u>	<u>BMI#</u>		<u>Description</u>	<u>Qty.</u>
	GREEN	YELLOW		
	10517	17441	Hydraulic Cylinder Assembly	
1	10522		Barrel Assembly w/Clevis	1
2	10062		Lock Nut Piston Rod	1
3	10519		Piston 2.5" Dia.	1
4	10058	17610	Cylinder Shaft	1
5	10060		Gland	1
6	10061		Clevis	1
Not Shown	10521	17609	Seal Kit	1

HYDRAULIC CYLINDER (DEFLECTOR)

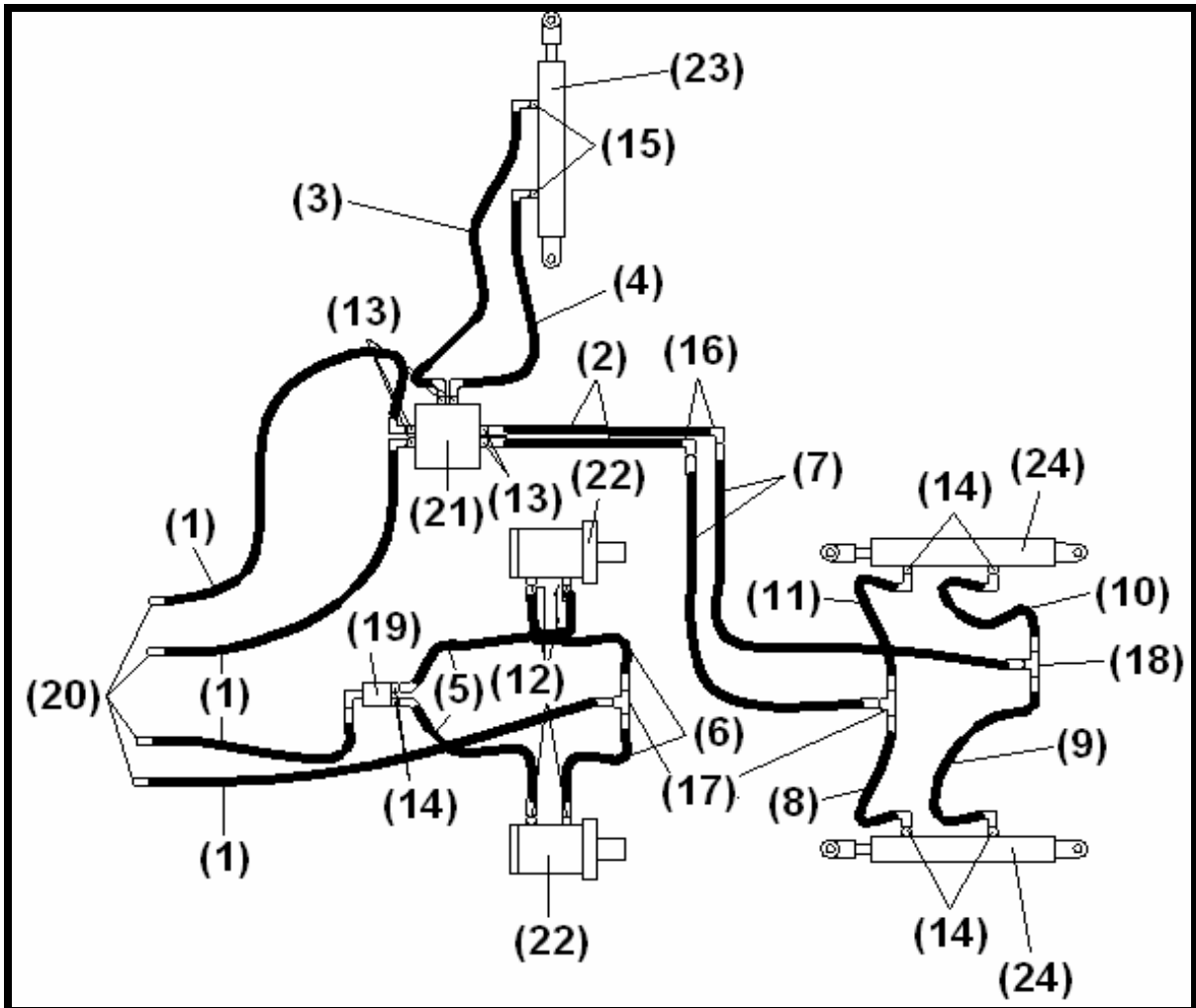


HYDRAULIC CYLINDER (DEFLECTOR)

PARTS LIST

<u>Ref#</u>	<u>BMI#</u>	<u>HY-SPEC#</u>	<u>Description</u>	<u>Qty.</u>
	10317	17442	Hydraulic Cylinder Assembly	1
1	16746	17614	1" Cylinder Shaft	1
Not Shown	10318	17613	Seal Kit	1

HYDRAULIC SCHEMATICS



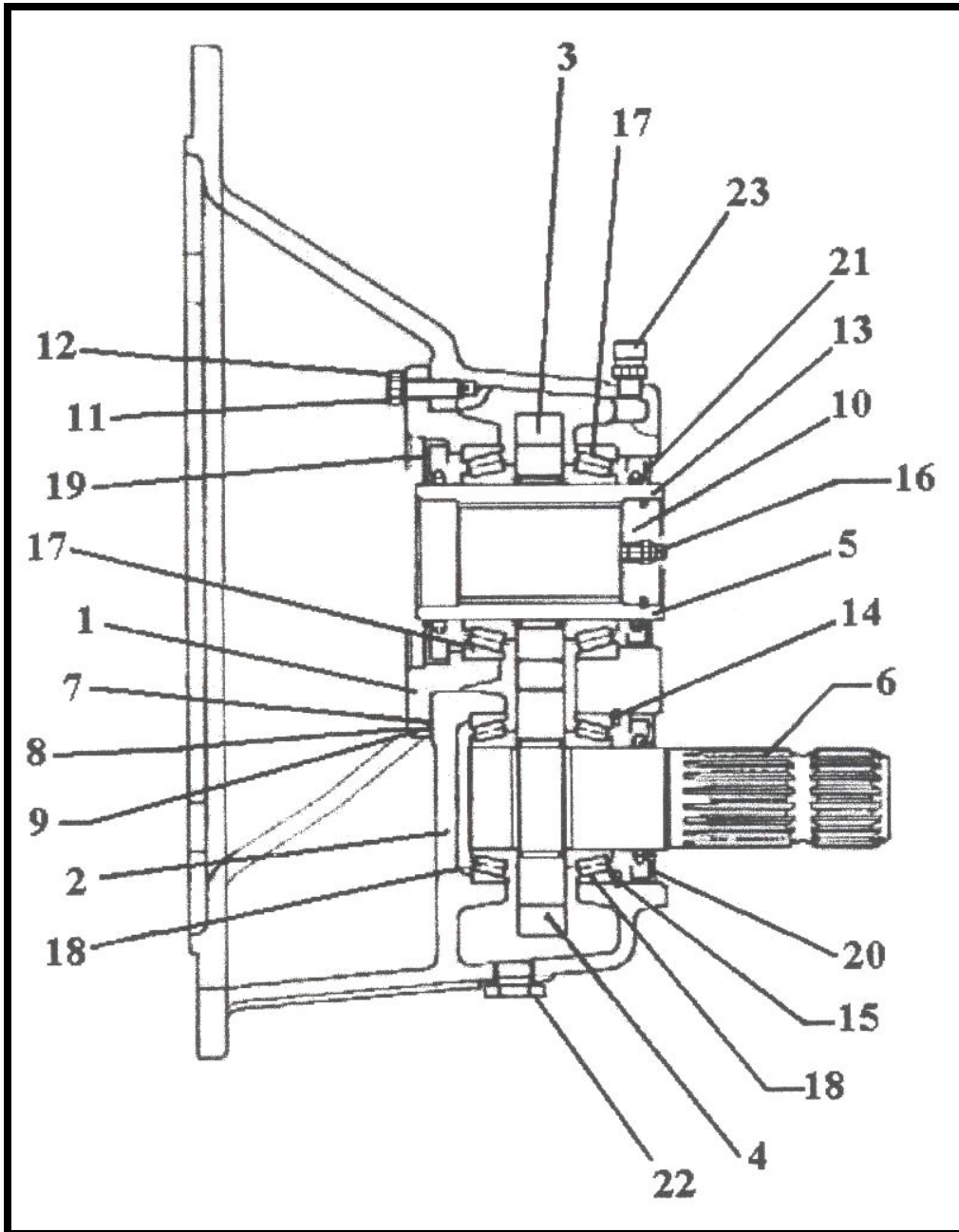
HYDRAULIC SCHEMATICS

PARTS LIST

<u>Ref#</u>	<u>BMI#</u>	<u>Description</u>	<u>Qty.</u>
1	11727	Hose - 102" OAL 8MP - 6FJX90	4
2	10194	Hose - 54" OAL 6FJX - 6FJX	2
3	11733	Hose - 29" OAL 6FJX90 - 6FJX90	1
4	11734	Hose - 23" OAL 6FJX90 - 6FJX90	1
5	11726	Hose - 21" OAL 8FJX - 6FJX45	2
6	11724	Hose - 17" OAL 8FJX - 6FJX	2
7	10190	Hose - 80" OAL 6FJX - 6FJX	2
8	11735	Hose - 22" OAL 6FJX - 6FJX90	1

9	11736		Hose - 22" OAL 6FJX90 – 6FJX90	1
10	11737		Hose - 48" OAL 6FJX – 6FJX90	1
11	11738		Hose - 54" OAL 6FJX - 6FJX90	1
12	10161		Adapter – 10MB – 8MJ	4
13	11739		Adapter – 10MB – 6MJ	7
14	11740		Adapter – 8MB – 6MJ	6
15	10162	17436	Adapter – 6MB – 6MJ	2
16	10187		Adapter – 6MJBH – 6MJ90	2
17	10188		Adapter – 6MJBH – 6MJT	2
18	11741		Adapter – 6MJRBH – 6MJT	1
19	11742		Splitter	1
20	10167	17379	Pioneer Male Tips	4
21	11743		Diverter	1
22	10045		Hydraulic Beater Motors	2
Not Shown	10048		Seal Kit	1
23	10317	17442	Deflector Hydraulic Cylinder(See Pg14)	1
24	10517	17441	Fork Hydraulic Cylinder(See Pg13)	2

RIGHT HAND GEARBOX

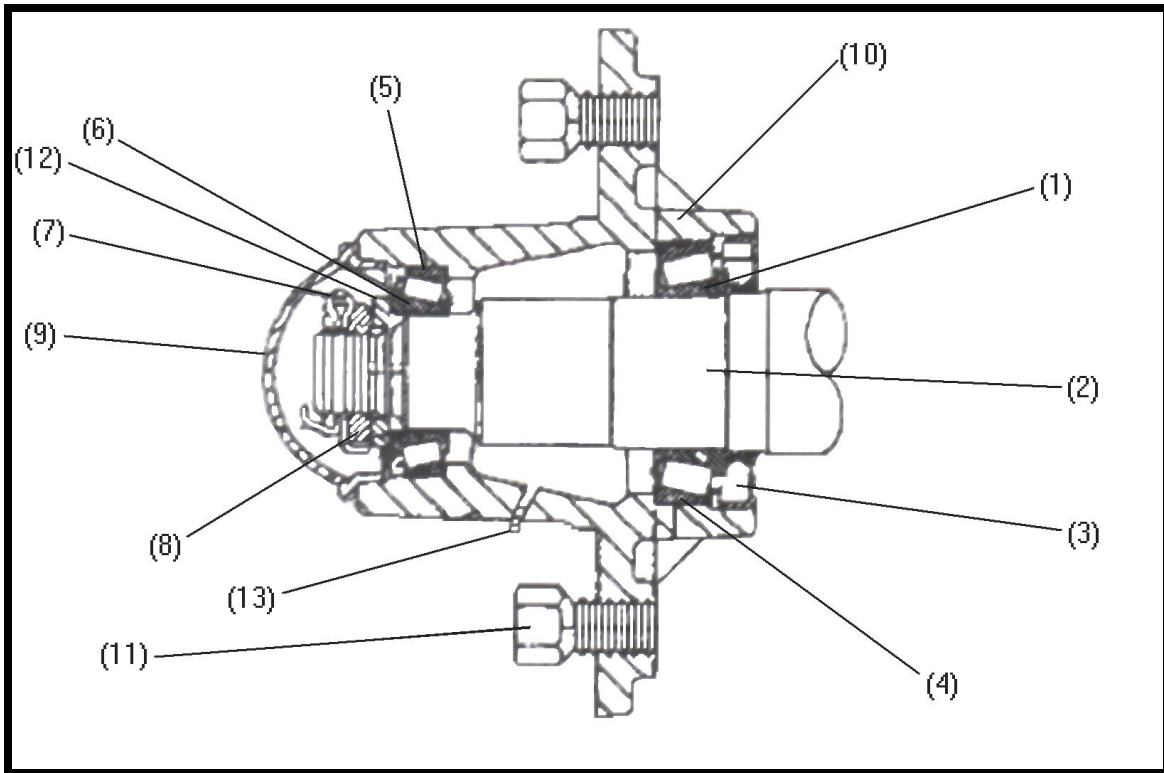


RIGHT HAND GEARBOX

PARTS LIST

<u>Ref#</u>	<u>BMI#</u>	<u>Description</u>	<u>Qty.</u>
	10420	Right Hand Gearbox	1
1	10480	Flange Output Shaft	1
2	10481	Casting	1
3	10482	Output Gear	1
4	10483	Input Gear	1
5	10484	1 3/4" Internal Output Shaft	1
6	10485	1 3/4" Input Shaft	1
7	10486	Output Shaft Flange Shim	1
8	10487	Output Shaft Flange Shim	1
9	10488	Output Shaft Flange Shim	1
10	10489	Output Shaft Cover	1
11	10490	Bolt M8 x 25 x 1.25 cl. 8.8	6
12	10491	Washer 8.2 x 14.8 x 1.6	6
13	10492	Snap Ring	1
14	10493	Snap Ring 1.75 x 2.5	1
15	10494	Shims	1
16	10495	Grease Fitting M8 x 1.25	1
17	10496	Taper Roller Bearing	2
18	10497	Taper Roller Bearing	2
19	10498	Oil Seal 60 x 100 x 10	1
20	10499	Oil Seal 45 x 75 x 10	1
21	10500	Oil Seal 60 x 85 x 10	1
22	10501	Drain Plug	2
23	10502	Breather Plug	1

HUB ASSEMBLY



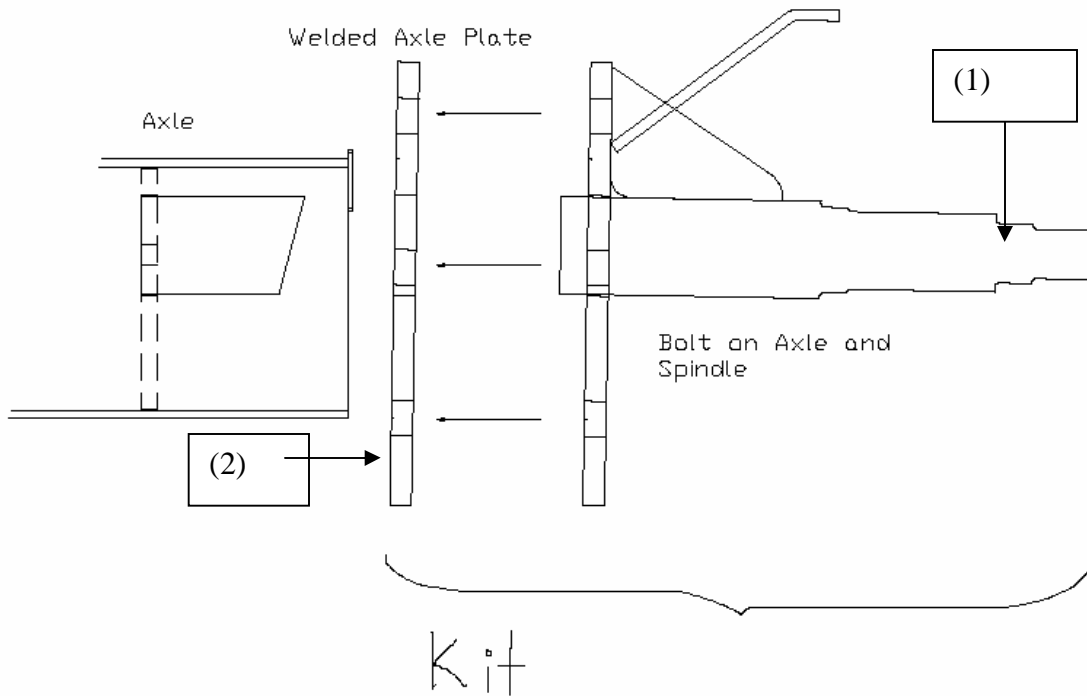
Note: Axle repair Kit on Next Page

HUB ASSEMBLY

PARTS LIST

<u>Ref#</u>	<u>BMI#</u>	<u>Description</u>	<u>Qty.</u>
1	10067	Inside Cone	2
2	10065	Spindle w/nut	2
3	10066	Dirt Seal	2
4	10068	Inside Cup	2
5	10070	Outside Cup	2
6	10069	Outside Cone	2
7	10072	3/16" x 1 1/2" Cotter Pin	2
8	10153	Castle Nut	2
9	10073	Dust Cap	2
10	10074	Hub w/Grease Zerk	2
11	10347	9/16" x 1 3/4" NF Wheel Stud	12
12	10071	Washer	2
13	10280	1/4" Grease Zerk	2

Axle Repair Kit

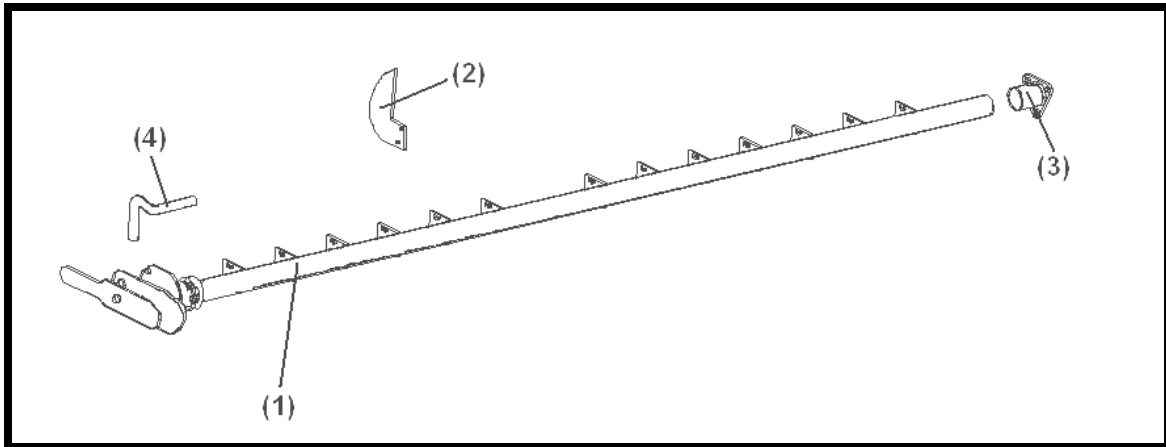


Axle Repair Kit

PARTS LIST

<u>Ref#</u>	<u>BMI#</u>		<u>Description</u>	<u>Qty.</u>
Kit	GREEN 17647	YELLOW	Axle repair kit spindle	1
1	17648	17354	Spindle assembly	1
2	N/A		Weldment plate	1
Not Shown	17665		Gusset	1
Not Shown	13800		bolt $\frac{3}{4}$ x 2 NC	6
Not Shown	12455		Nut $\frac{3}{4}$ NC	6
Not Shown	13795		Lock Washer $\frac{3}{4}$	6

FINE CHOP OPTION (SIDE MOUNT)



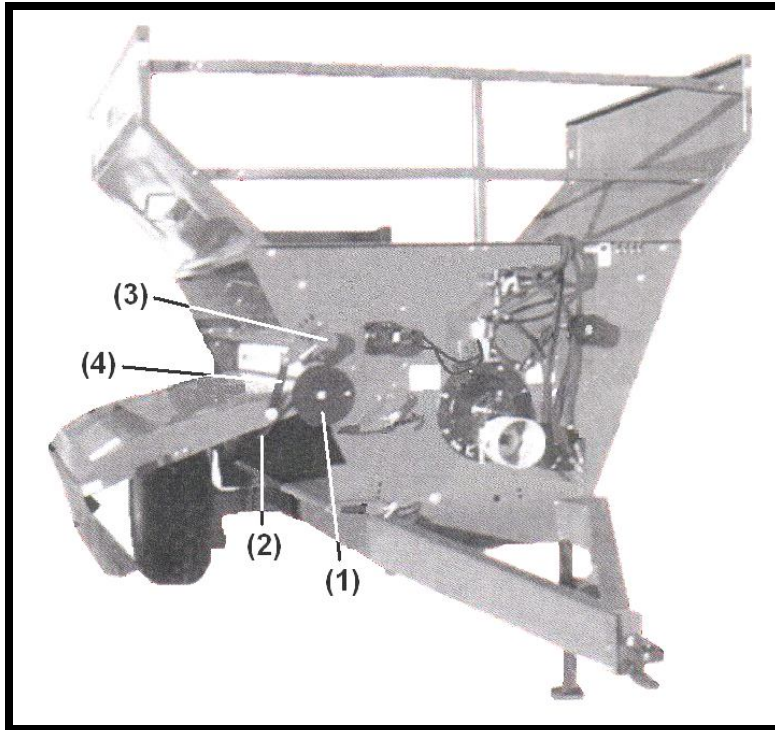
FINE CHOP OPTION (SIDE MOUNT)

PARTS LIST

<u>Ref#</u>	<u>BMI#</u>	<u>Description</u>	<u>Qty.</u>
	GREEN	YELLOW	
	12499	17318	Fine Chop Option (Side Mount) 1
	11771	17409	Handle and Pipe Assembly 1
2	10404	Knife	14
Not Shown	11810	1/4" x 1" NC Bolts	28
Not Shown	15402	1/4" NC Locknut	28
3	13450	Sleeve Bracket	1
Not Shown	13806	3/8" x 1" NC Bolt	7
Not Shown	11818	3/8" Serrated Flange Nut	7
4	10231	Plated Handle	1
Not Shown	10297	Rubber Handle	1
Not Shown	10302	3/16" x 1 1/4" Roll Pin	1
Not Shown	10301	Compression Spring	1
Not Shown	12792	Split Collar	1

MODELS WITH SERIAL # BK2926 AND BELOW

SPRING ASSISTED DEFLECTOR



SPRING ASSISTED DEFLECTOR

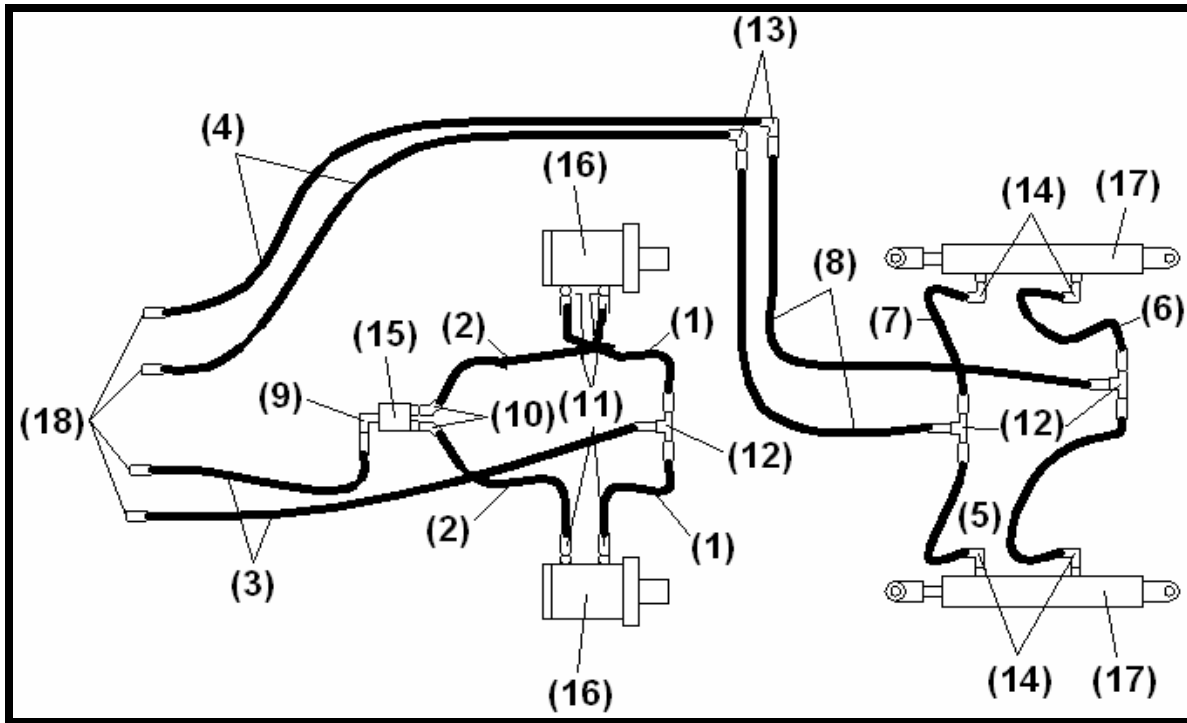
PARTS LIST

<u>Ref#</u>	<u>BMI#</u>	<u>Description</u>	<u>Qty.</u>
1	10474	Spring Plate	2
Not Shown	14461	1/2" x 1 1/2" NC Bolt	2
Not Shown	15403	1/2" x 1 3/4" NC Bolt	2
Not Shown	16345	1/2" Fender Washer	2
Not Shown	10239	Bushing 1/2" x 1 1/4"	2
Not Shown	10506	Spring Bushing 9/16" x 2" x 1/2"	2
Not Shown	10507	Spacer 5/8" x 3/4" x 1/2"	2
Not Shown	14443	1/2" NC Locknut	2
Not Shown	10278	1/2" Serrated Flange Nut	2
2	10422	Left Spring Rear on RH Machine	1
	10423	Right Spring on Front on the RH Machine	1
3	10830	Lift Assembly (includes next 3 items)	1

Not Shown	10231	Plated S Handle	1
Not Shown	10301	Compression Spring	1
Not Shown	10302	Roll Pin	1
Not Shown	13806	3/8" x 1" NC Bolt	6
Not Shown	11818	3/8" Serrated Flange Nut	6
4	10475	Linkage, Main Deflector	2
Not Shown	10512	Spring Guide	2
Not Shown	14461	1/2" x 1 1/2" NC Bolt	2
Not Shown	10278	1/2" Serrated Flange Nut	2
Not Shown	16345	1/2" Fender Washer	4
Not Shown	10239	Bushing 1/2" x 1 1/4"	4

*** Replaces items 16 – 18 on Bale King, upto Serial #BK2927 in *External Parts and Controls* section**

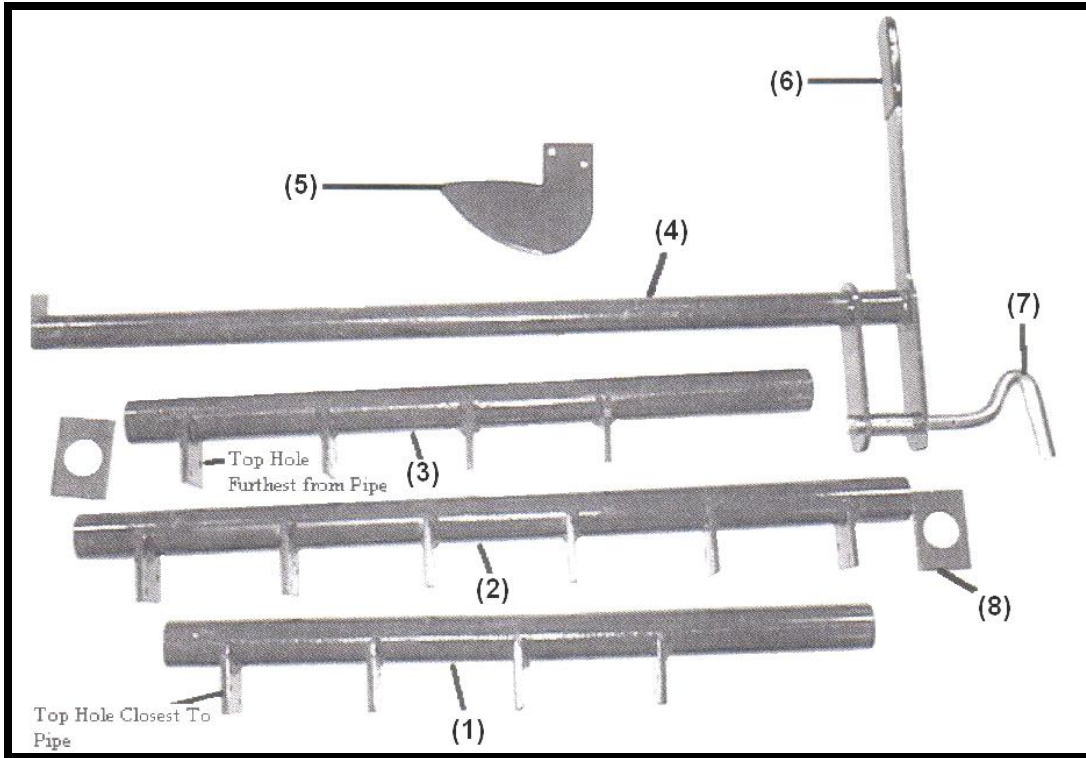
HYDRAULIC SCHEMATICS



PARTS LIST

<u>Ref#</u>	<u>BMI#</u>	<u>Description</u>	<u>Qty.</u>
1	10197	Hose - 21" OAL 6FJX - 8FJX	2
2	10198	Hose - 18" OAL 6FJX - 8FJX	2
3	10196	Hose - 102" OAL 6FJX - 8MP	2
4	10195	Hose - 120" OAL 6FJX - 8MP	2
5	10191	Hose - 22" OAL 6FJX - 6FJX	2
6	10193	Hose - 48" OAL 6FJX - 6FJX	1
7	10194	Hose - 54" OAL 6FJX - 6FJX	1
8	10190	Hose - 80" OAL 6FJX - 6FJX	2
9	10200	Adapter - 8MB - 6MJ90	1
10	11725	Adapter - 8MB - 6MJ45	2
11	10161	Adapter - 10MB - 8MJ	4
12	10188	Adapter - 6MJBH - 6MJT	3
13	10187	Adapter - 6MJBH - 6MJ90	2
14	10200	Adapter - 8MB - 6MJ90	4
15	11742	Splitter	1
16	10045	Hydraulic Beater Motors	2
Not Shown	10048	Seal Kit	1
17	10517	17441 Fork Hydraulic Cylinder (See Page 13)	2
18	10167	Pioneer Male Tips	4

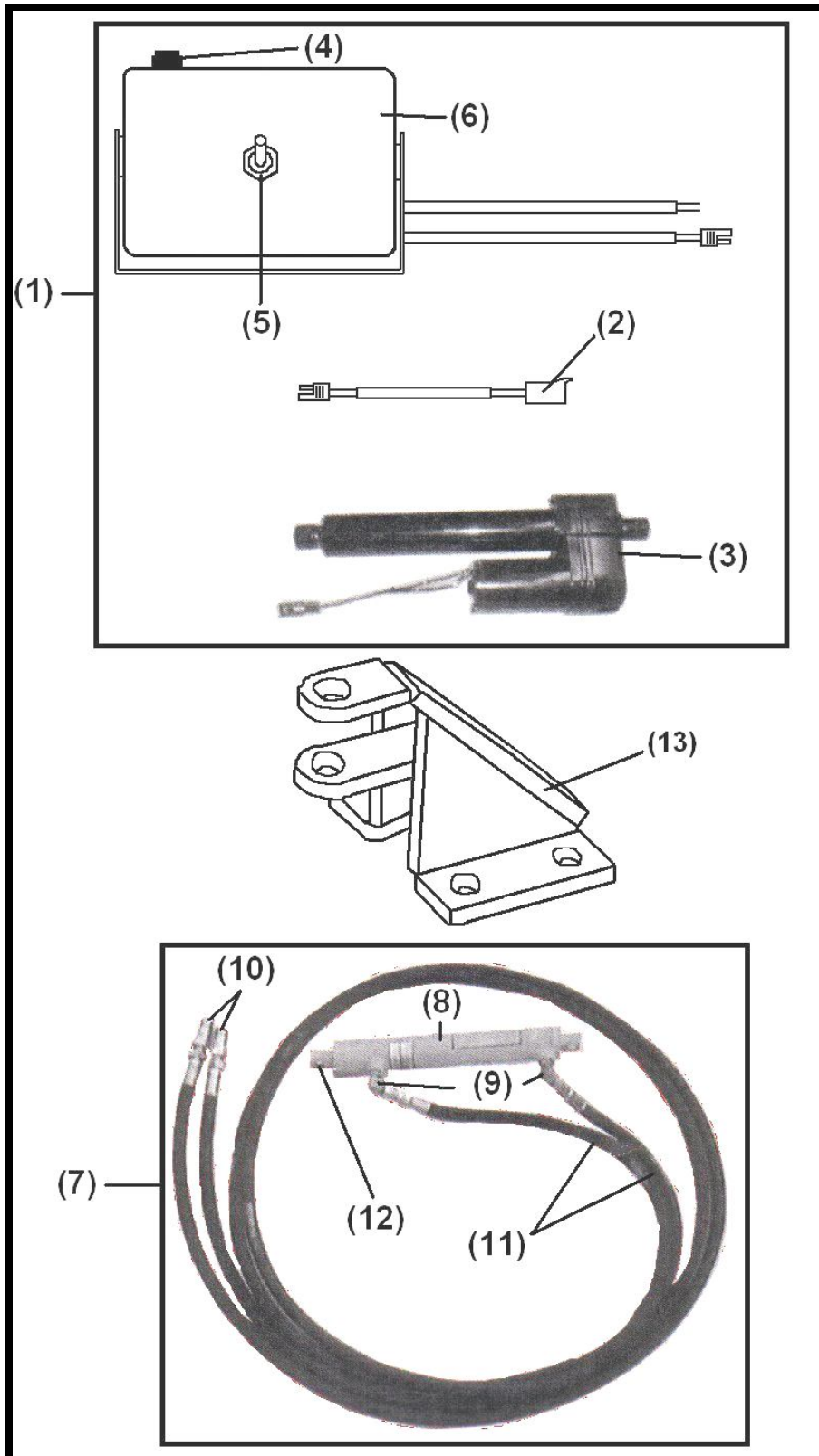
FINE CHOP OPTION (BOTTOM MOUNT)



PARTS LIST

<u>Ref#</u>	<u>BMI#</u>	<u>Description</u>	<u>Qty.</u>
1	10525	End Knife Holder	1
2	10526	Middle Knife Holder	1
3	10527	End Knife Holder	1
4	10523	Handle w/Pipe	1
5	10404	Knife	14
6	10297	Rubber Handle	1
7	10231	Plated Handle	1
Not Shown	10302	3/16" x 1 1/4" Roll Pin	1
8	10524	Rectangular Spacer	2
Not Shown	10301	Compression Spring	1
Not Shown	13806	3/8" x 1" NC Bolt	4
Not Shown	13802	3/8" NC Locknut	4
Not Shown	11810	1/4" x 1" NC Bolt	28
Not Shown	15402	1/4" NC Locknut	28

Optional Attachments Units with Spring Assist Deflector



Optional Attachments Units with Spring Assist Deflector

PARTS LIST

<u>Ref#</u>	<u>BMI#</u>	<u>Description</u>	<u>Qty.</u>
1	10307	Electric Lift Attachment (Side Deflector)	1
2	10309	Cable 13'	1
3	10311	Electric Actuator	1
4	10312	Fuse Holder	1
Not Shown	10313	Fuse AGC 25	1
5	10314	3 – Way Switch	1
6	10315	Box Assembly w/ Harness	1
7	10316	Hydraulic Lift Attachment	1
8	10317	Hydraulic Cylinder Assembly (See Page 14)	1
Not Shown	10318	Seal Kit	1
9	10201	Adaptor – 6MB – 6MJ90	2
10	10167	Pioneer Male Tips	2
11	10320	Hose – 120"	2
12	15396	1/2" x 3" NC Bolt	1
Not Shown	10239	1/2" x 1 1/4" Plated Bushing	2
Not Shown	13804	1/2" x 2" NC Bolt	1
Not Shown	14443	1/2" NC Locknut	2
13	10516	Bracket Hydraulic and Electric Lift	1
Not Shown	13806	3/8" x 1" NC Bolt	4
Not Shown	13802	3/8" NC Locknut	4
Not Shown	13559	Transport Safety Latch, Includes following items:	
	13560	Safety Latch	1
	13233	Lynch Pin	1
	13232	1/2" x 2 1/4" NC Bolt	1
	13231	1/2" x 2 1/2" NC Stabilizer Pin	2
	10278	1/2" Serrated Flange Nut	6
	13194	Decal, Transport Safety Lock	1