



FLEXCART 48

Header Transport

Operator's Manual

Last Updated: November 2024

Bridgerview Manufacturing Inc.

P.O. Box 4

Gerald, Saskatchewan, Canada

S0A 1B0

Phone: 1-306-745-2711

Fax: 1-306-745-3364

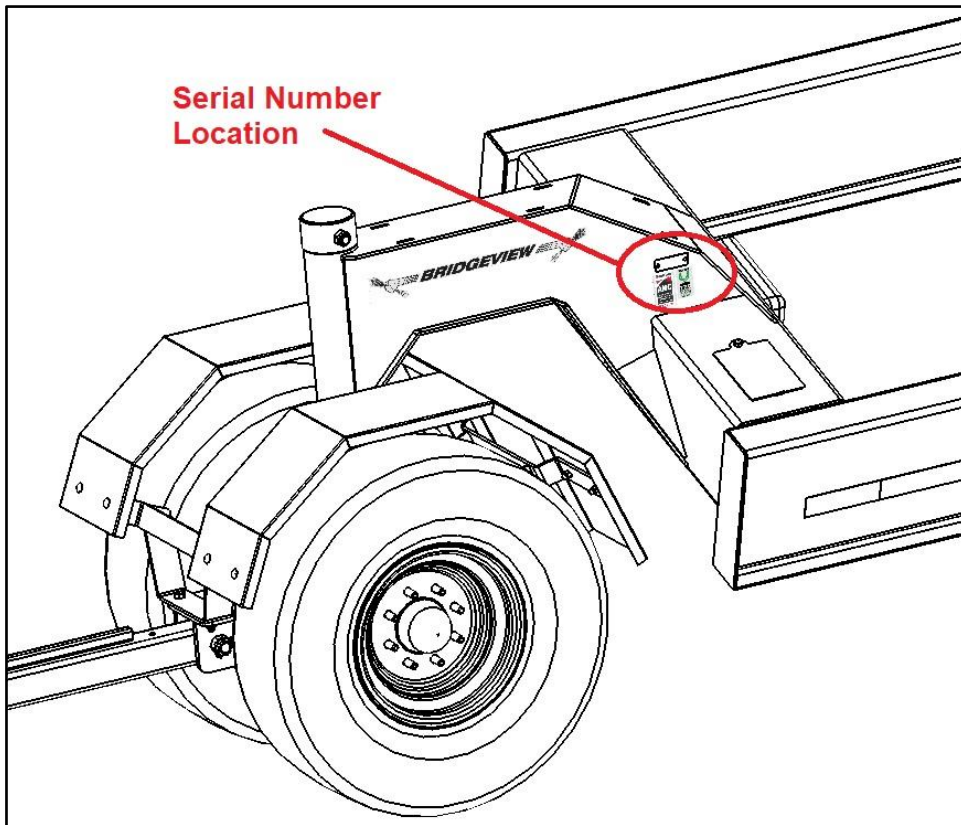
Email: bmi@sasktel.net



The Serial Number is located the front gooseneck,

Your Authorized Dealer

Your Serial Number



	<p>⚠ WARNING</p> <p>Failure to read and understand operator's manual & all safety signs could result in serious injury. Manual must remain with machine.</p>
--	--



TABLE OF CONTENTS

OPERATION MANUAL	1
Introduction.....	1
Safety Precautions.....	2
Loading the Header.....	3
Transportation.....	6
Optional Hitch Extension.....	10
Service & Maintenance.....	16
PARTS BOOK.....	18
Main Frame.....	18
Rear Hub Breakdown – 8000# Lippert Axle.....	22
Rear Hub Breakdown – 7000# Dexter Axle.....	23
Dolly Assembly.....	24
Hitch Assembly.....	25
Front Fenders.....	26
Front Hub Breakdown.....	27
Header Mounts.....	28
John Deere HD50R Bracket Package #33908.....	28
Geringhoff Bracket Package #34346.....	29
MacDon Bracket Package #34406.....	30
Optional Hitch Extension.....	31
2-5/16” Ball Hitch Kit #35028.....	32
3” Pintle Hitch Kit #35029.....	32
2-5/16” Ball to 3” Pintle Hitch Kit #35252.....	32
Optional X9 Ball Hitch Adaptor #35030.....	33
Optional X9 Pintle Hitch Adaptor #35031.....	33
Decals.....	34
Electrical Schematic.....	35
NOTES.....	40



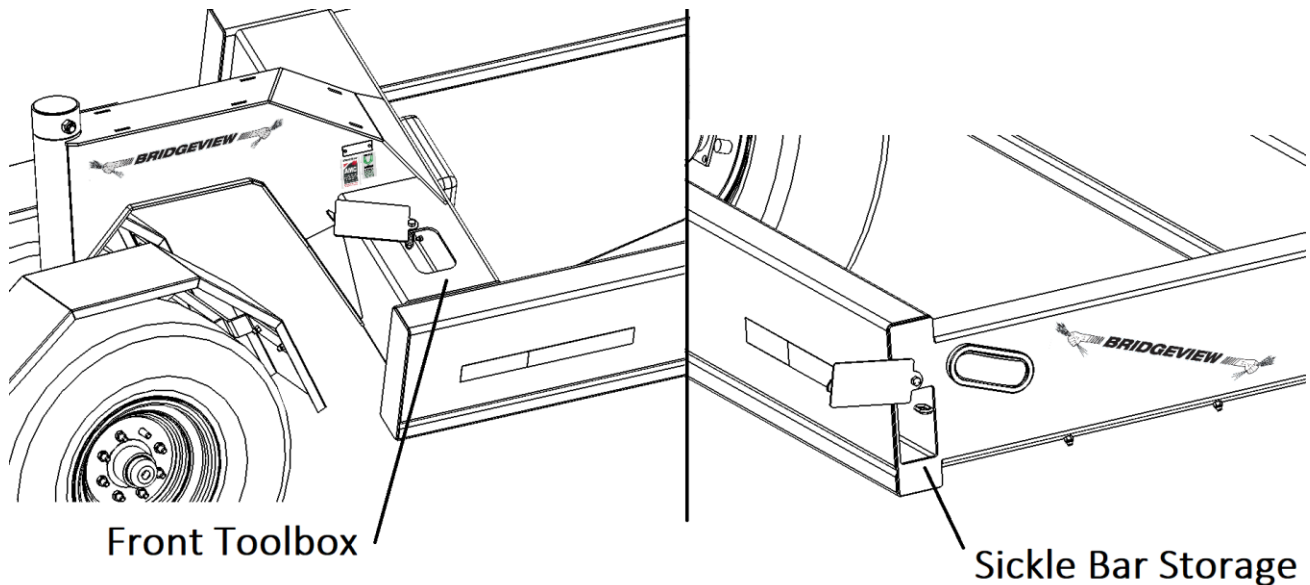
OPERATION MANUAL

Introduction

The FlexCart 48 is a 48ft long trailer designed to safely and securely transport today's large combine headers on the road. It is designed to handle headers up to 50 ft cutting width and up to 14700 lb.

The FlexCart 48 features two storage compartments. One is located at the front beside the gooseneck. This is available for tool & strap storage. The door can be pulled upward by the handle, then rotated for access.

The other compartment is located at the back corner. It allows for spare sickle bars to be slid inside the trailer frame rails. These should be tied to the provided hook to prevent them from sliding.





Safety Precautions

The following safety precautions MUST be followed to ensure safe operation of the FlexCart Header Transport.

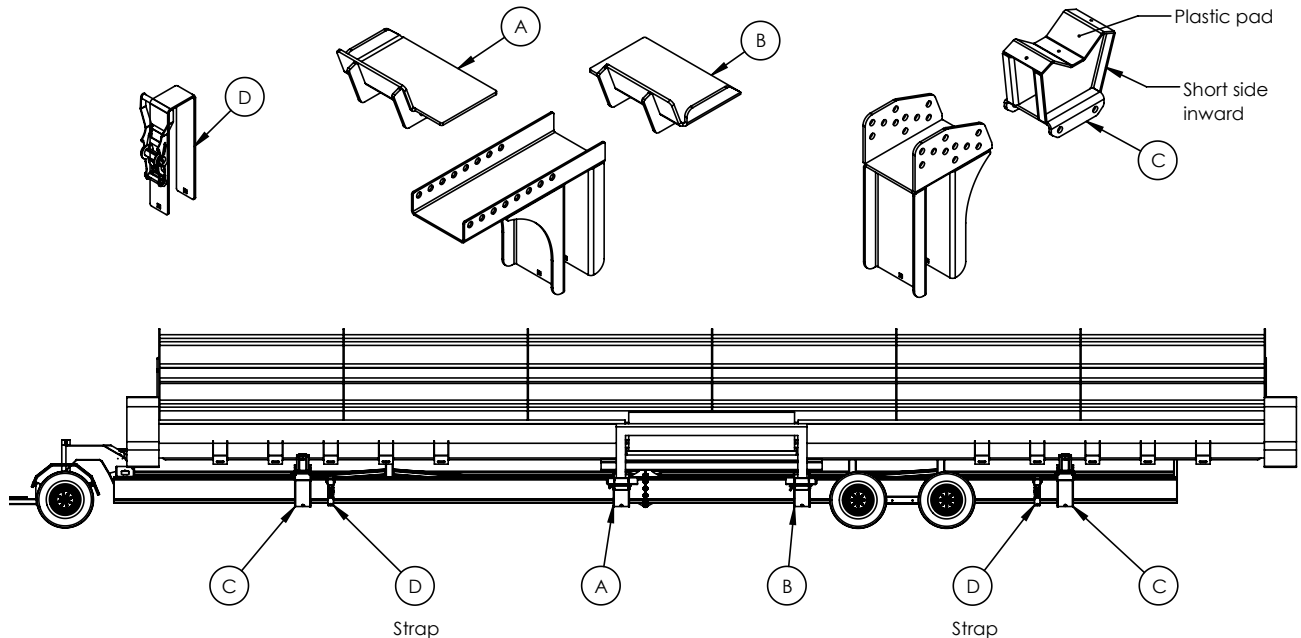
- Fully read through and understand this document.
- Special care is required when transporting this equipment on public roads. Follow all local regulations.
- Ensure that the tow vehicle is adequate for the weight towed.
- Check the trailer brakes before each trip. There is significant risk of jackknifing the front axle if the trailer brakes are not functioning properly.
- Always ensure that the header is securely connected to the trailer before moving.
- Always perform a walk-around before each trip to check the important components as laid out in the remainder of this document
- When loading and unloading the header, make sure that no one is near or under the header, or between the combine and the trailer. There are many potential hazards and pinch points. It is best to stay clear until the connection / disconnection is complete.



Loading the Header

Saddle Adjustment

The FlexCart 48 comes with 3 separate types of support brackets designed to work with 45 ft & 50 ft draper and flex draper headers. They are able to be slid along the length of the trailer to best fit the particular header being transported. This is done by loosening the bolt on each mount. They should be retightened when in the correct position.



To set the saddle locations:

- Park the trailer on a hard, flat location. Leave connected to the vehicle with the parking brake engaged.
- Drive the combine with header up to the low side of the trailer. Align the left side to just clear the trailer gooseneck.
- Drive forward until the cutter bar skid plates are over the far frame rail.
- Slowly lower the header until it just clears the trailer frame.

A/B - Center Support Plates

- Should be adjusted side to side to match the skid locations in the center frame of the header
- The bent lips should be to the outsides
- Adjust the width so that the cutter bar skid plates rest firmly on the far frame. This is done with the two bent pins.

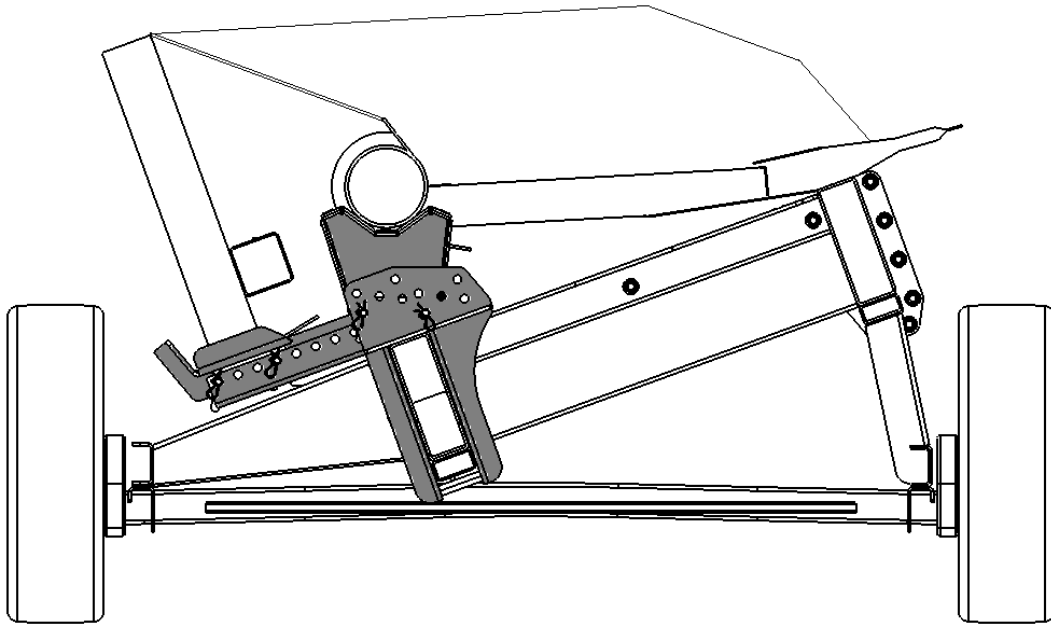


C – Pipe Supports

- Adjust so that the plastic pad will catch the large pipe running lengthwise on the header. Adjust side-to-side to be centered between two of the main support ribs. Make sure that the pipe support is located near to the tie-down location.
- Ensure that the supports are clear of any structure or mechanism on the underside of the header
- The header should rest on both the pipe supports and the center skid supports when the flex is relaxed

D – Ratchet Supports

- Adjust to align with tie-down points as indicated in the header manual. Make sure the tie down point is between the header supports, and also located near the outer pipe support.





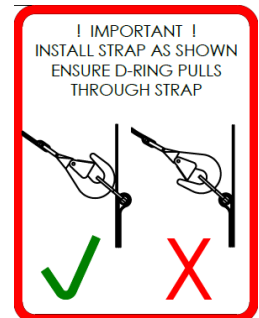
Loading the Header

Always follow the specific instructions as laid out in the header manual, but in general:

- Make sure the reel is fully down and in
- Fully retract the gauge wheels
- Make sure all guards and shields are properly closed and latched
- Slowly align and lower the header onto the frame. Make sure all of the supports are properly aligned as above.
- Disconnect the header from the combine as per the specific header instructions. **DO NOT LOWER MORE THAN NECESSARY.** This will put excess pressure on the trailer axles which may cause damage.
- **ALWAYS ENSURE THAT NO ONE IS BETWEEN THE COMBINE AND THE TRAILER, OR UNDERNEATH EITHER DURING THIS PROCESS.**

Securing the Load

- Strap the header down to trailer at the provided tie-down points and ratchet strap. Ensure that there are at least 2 wraps around the ratchet. **Check that the strap is oriented correctly so that the D-ring is pulling through the strap as shown. Otherwise, straps may become damaged.**
- Check all mounting brackets and straps for tightness. Replace any frayed or cut straps
- Periodically inspect the strap tension on longer trips. Adjust as required.
- Make sure all of the pins **and hairpins** for the header mounting brackets are in place



Unloading the Header

- Park the trailer on a hard flat surface. Leave connected to the tow vehicle with the parking brake engaged.
- Remove the tie down straps. They may be stored in the toolbox located inside the front beam of the trailer
- Connect to the combine as per the specific header manual
- Slowly raise the header off the trailer frame. Make sure nothing is catching or rubbing.



Transportation

The FlexCart 48 can be safely towed on public roads, provided the following precautions are met: The trailer is considered a farm implement, and does not need to be licensed in most jurisdictions. Always comply with local regulations regarding transportation on public roads. Follow all local laws regarding lighting and marking.

Weights and Dimensions

- The towing vehicle must be suitable for the weight being towed.
- Be aware of your size and weight. Adjust your driving accordingly.

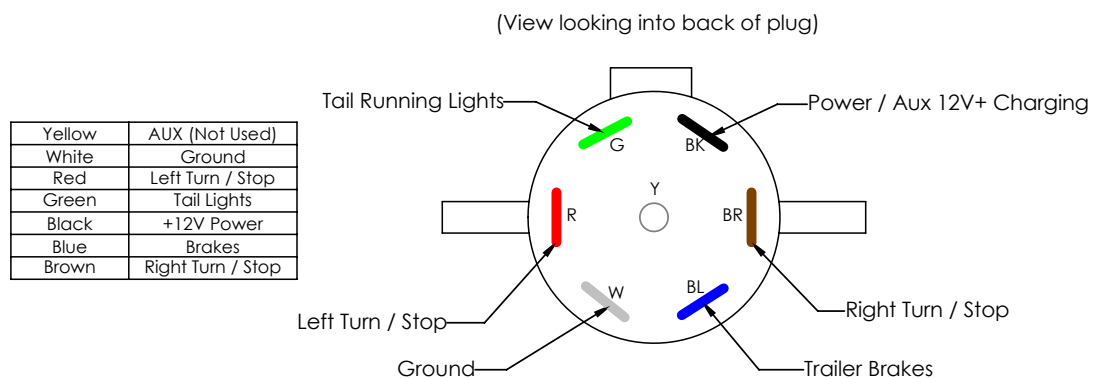
	Empty	Loaded *
Total Weight	5800 lb	18000 lb
Length	57'	62'
Width	8'-6"	10'-3"
Height	4'-0"	9'-4"

* Loaded dimensions will vary slightly depending on the exact header model transported.
Numbers shown are based on a 50 ft flex header.

Gross Vehicle Weight Rating (GVWR)				
	S/N 26168 & UP		S/N 26167 & BELOW	
Total	22 500 lb	10 230 kg	20 500 lb	9310 kg
Front Axle	6500 lb	2950 kg	6500 lb	2950 kg
Rear Axle #1	8000 lb	3640 kg	7000 lb	3180 kg
Rear Axle #2	8000 lb	3640 kg	7000 lb	3180 kg

Lights and Marking

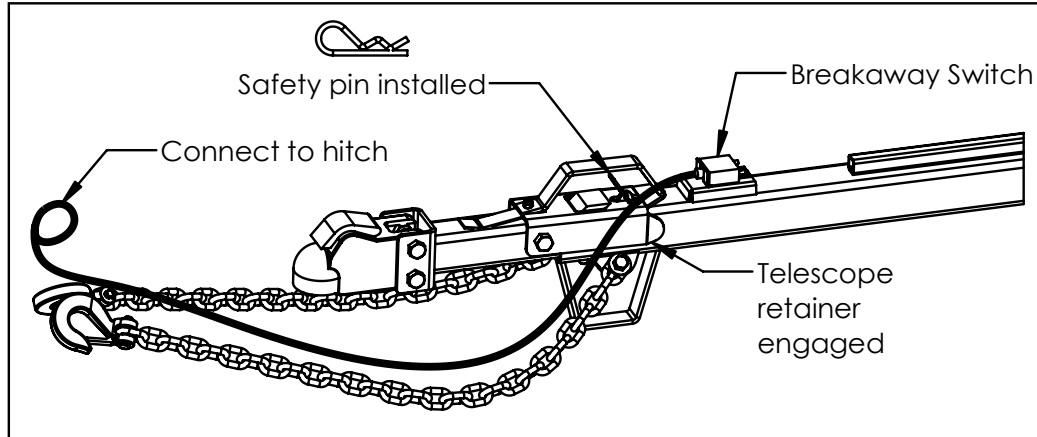
- Tow vehicle must have a 7-blade trailer plug, or suitable adaptor
- Plug in lights and check for proper function and visibility.
- Ensure that the lights and reflective markers are clean, and visible from all sides



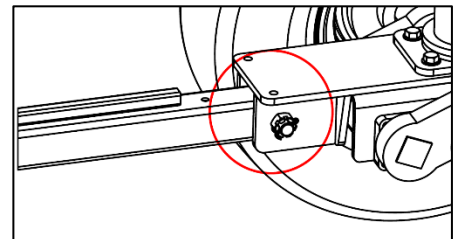


Hitch and Safety Chain

- The FlexCart features a telescoping hitch beam for ease of connection to the tow vehicle. To operate:



- Remove the safety pin
 - Lift the handle and pull forward. The hitch should extend up to 14”
 - Connect the hitch to the tow vehicle
 - Back up until the telescope latches
 - Make sure the retainer is fully engaged, then **REINSTALL THE SAFETY PIN**
- The FlexCart features a **2-5/16” ball hitch** with built-in safety latch. Ensure that the ball hitch is fully locked.
 - Optional **pintle** and **clevis hitches** are available upon request
 - ALWAYS ensure that the **safety chains** are properly connected to the tow vehicle. There should be enough slack to allow for turning, but not so much that the chain drags on the ground. The chains should be crossed under the hitch, and connected to a secure attachment point on the towing vehicle’s frame.
 - Connect the **breakaway cable** to the tow chain in such a way that if the hitch comes disconnected in any way, the “key” will pull out and engage the trailer brakes.
 - Connect the 7-pin plug.
 - Make sure that the bolted connection between the dolly and the hitch pole is snug. The hitch should move up and down with light pressure, but have very little side to side movement. Tighten the castle nut as necessary.





Wheels and Tires

- Check tire pressure and wheel torque. Wheels must be retorqued soon after being towed for the first time. They should be periodically checked thereafter.

*Wheel Torque Increment
First 50 km (30 mi) if empty
First 25 km (15 mi) if loaded*

** 160 ft-lb **

- Periodically inspect the tire treads for wearing, bulging, flat spots, etc. Tire issues are not covered by Bridgeview and must be dealt with by your local tire shop.

	<i>All S/N Front Dolly Axles</i>	<i>S/N 26168 & UP Rear Axles</i>	<i>S/N 26167 & BELOW Rear Axles</i>
Tires	ST235/80 R16 10 ply	ST235/80 R16 14 ply	ST235/80 R16 10 ply
Rims	16x6, 8 on 6.5"	16x6, 8 on 6.5"	16x6, 8 on 6.5"
Axles	6500 lb Torflex	8000 lb Torflex	7000 lb Torflex
Tire Rating	3640 lb	4000 lb	3640 lb
Tire Pressure	80 psi	110 psi	80 psi

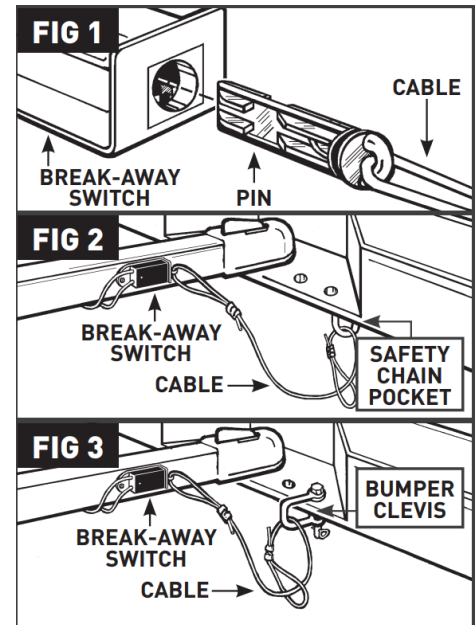
Speed & Travel

- This trailer features highway axles, tires, and hubs and is suitable for highway speeds.
- The trailer features electric brakes on the two rear axles. These should be connected to the tow vehicle and should be tested to ensure they are working.
- Regardless of the rating, the trailer should only be pulled at a speed which is safe for the current conditions. Rough roads, inclement weather, cross winds, and other factors will lower the safe travel speed. Adjust accordingly.
- The loaded trailer has a high center of gravity. This, combined with the dolly-style front axle, means that the trailer will be more prone to tipping over during high-speed cornering. Sharp turns should be taken with caution.
- The trailer has a long rear overhang, especially when loaded. This results in a large amount of tail swing which must be accounted for when turning.
- Periodically check the tie-down straps. Adjust as necessary. Check that the load has not shifted.



Brakes

- The trailer features electric drum brakes on the two rear axles. The towing vehicle **MUST HAVE** a functioning trailer brake controller.
- The trailer features an electric breakaway kit to activate the trailer brakes in the case of the trailer separating from the towing vehicle. Tie the breakaway cable securely to the tow vehicle, and plug the other end into the switch.
*** Make sure this is plugged in before moving. When it is removed, the brakes will activate.**
 - The breakaway switch will only activate when the trailer is plugged into the tow vehicle. It will not act as a parking brake on a slope for example. Wheels should be chocked as necessary when the trailer is disconnected.
- Make sure that the breakaway battery is fully charged. Press the button on the side of box. A green light indicates full charge. A red light indicates low charge. Plugging the trailer plug into a vehicle will charge it (approximately 20 minutes for full charge). An amber light will show while the battery is connected to a vehicle.
 - The battery charger may drain the vehicle's battery when the vehicle is turned off. To determine if this is the case, look for the amber light on the side of the breakaway battery kit. To protect the vehicle's battery, the trailer should be unplugged if left connected overnight.
- Check that the brakes are functioning properly before each trip. Slowly drive forward, then apply the brakes. They should apply just before the towing vehicle's brakes, but not so early that they tug on the vehicle, or lock up. Adjustments should be made using the vehicle's brake controller.

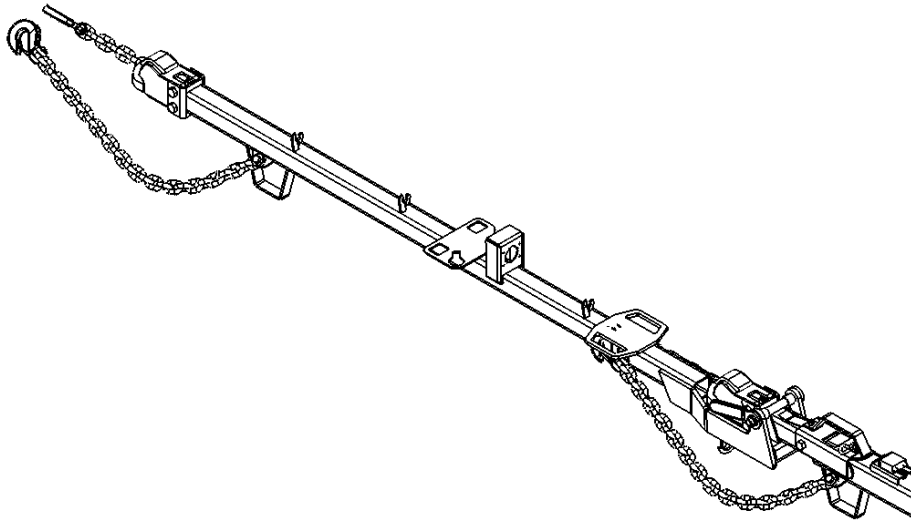




Optional Hitch Extension

The optional Flexcart 48 hitch extension provides an additional 7 feet of clearance to ensure adequate auger clearance when towing behind a combine. **The auger must be folded in when towing a Flexcart 48 with the hitch extension.**

The hitch extension **is not compatible with the trailer brake system** used on a Flexcart 48. The hitch extension should be removed from the hitch prior to use at highway speeds. The breakaway cable for the trailer brakes should be tied down securely to prevent damage to the brake system.



Optional Flexcart 48 Hitch Extension	35027
---	--------------

The hitch extension comes with three optional configurations for towing, depending on the hitch setup of the Flexcart trailer. One of these kits must be selected alongside the base hitch extension.

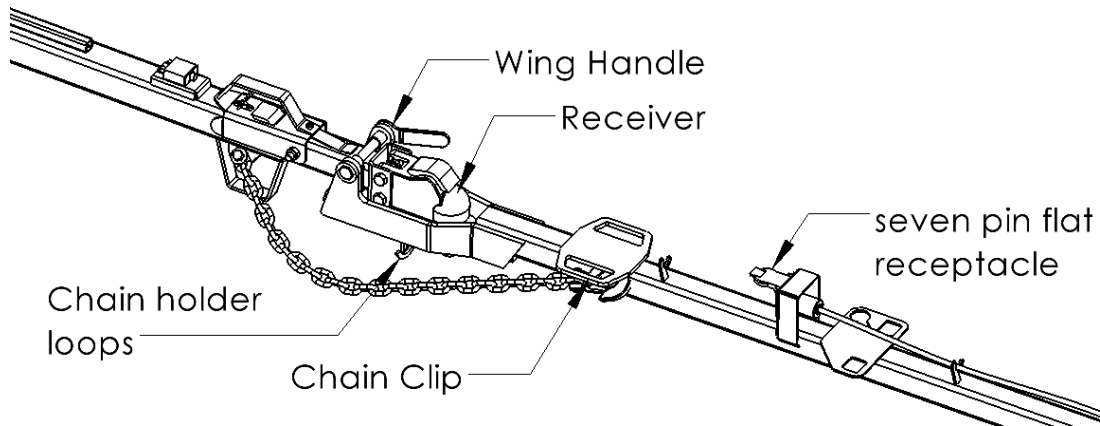
Optional Hitch Extension Ball To Ball Kit <i>2-5/16" Ball to 2-5/16" Ball</i>	35028
Optional Hitch Extension Pintle To Pintle Kit <i>3" Pintle to 3" Pintle</i>	35029
Optional Hitch Extension Ball to Pintle Hitch Kit <i>2-5/16" Ball to 3" Pintle</i>	35252

An optional kit is available to mount to the rear end of John Deere X9 combines. This gives a towing location for either a ball hitch or pintle hitch, which the hitch extension will connect to.

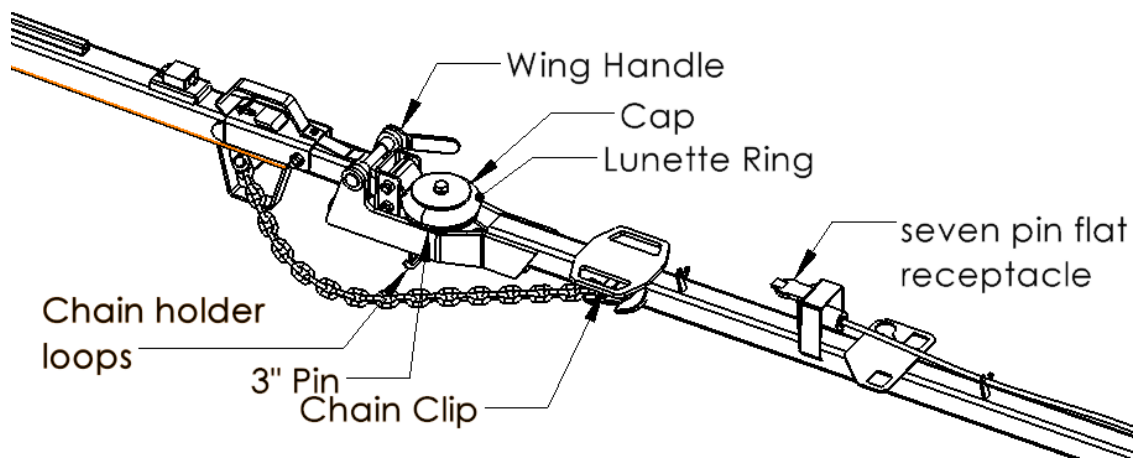
X9 Ball Hitch Adaptor	35030
X9 Pintle Hitch Adaptor	35031



The hitch extension with **ball hitch** option, is attached to a Flexcart 48 by inserting the ball into the trailer's ball receiver and securing it using the provided 3/4" x 7" bolt and wing handle nut (34994). The safety chains are then run through the chain holder loops, and attached to the chain clip. The electrical wiring for the trailer is then plugged into the seven-pin receptacle on the hitch extension to run power to the lights.



The hitch extension with **pinle hitch** option (below), is attached to the Flexcart 48 by inserting the 3" pin into the trailer's lunette ring and securing it using the provided cap, 5/8" lock washer, 5/8" x 1-1/4" bolt, 3/4" x 7" bolt and wing handle nut (34994).



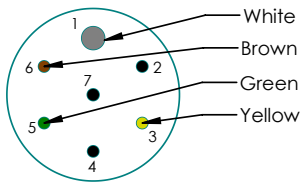


ALWAYS ensure that the **safety chains** are properly connected to the tow vehicle. There should be enough slack to allow for turning, but not so much that the chain drags on the ground. The chains should be crossed under the hitch, and connected to a secure attachment point on the towing vehicle's frame.

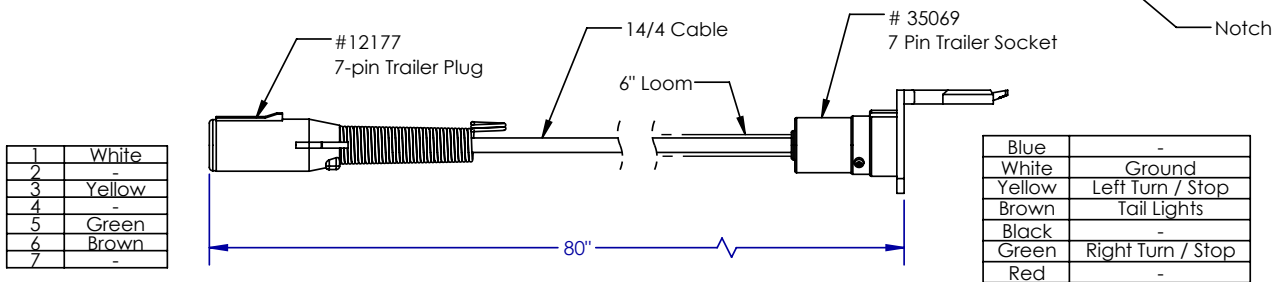
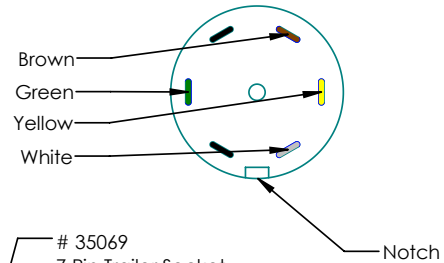
Connect the seven pin plug to the towing vehicle and check that the lights are working properly.

#35054
Hitch Extension Cord

(View looking into the back of plug)



(View looking into the back of the plug)

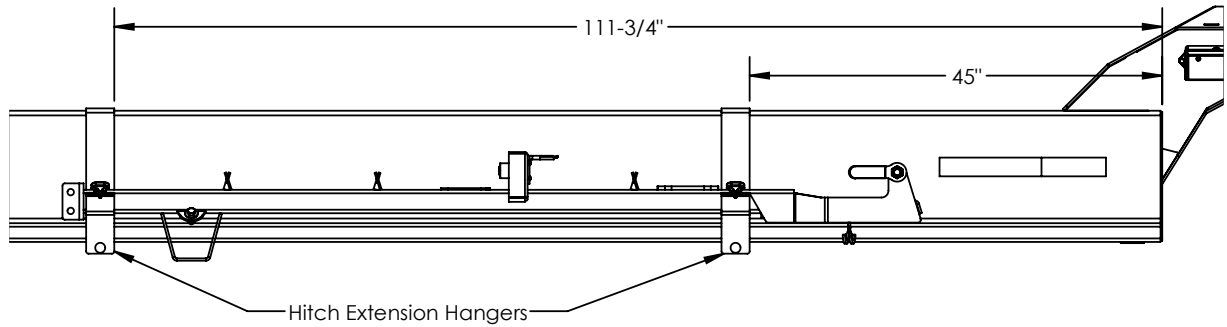


1	White
2	-
3	Yellow
4	-
5	Green
6	Brown
7	-

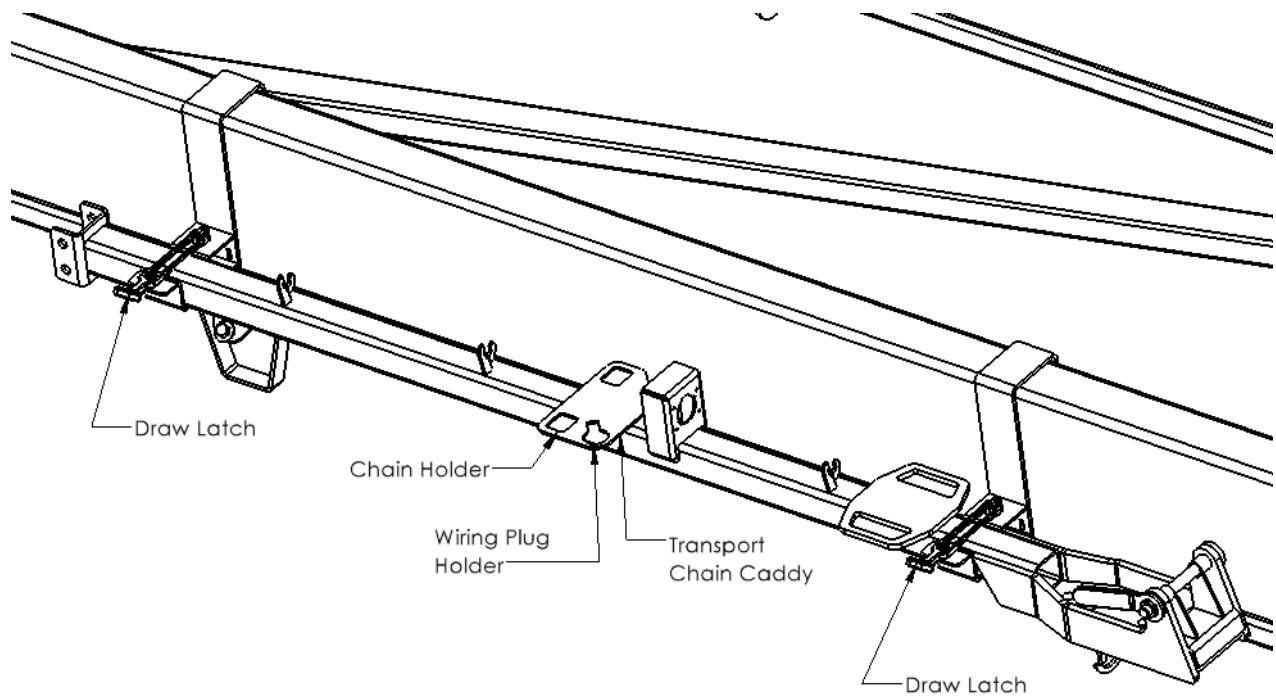
Blue	-
White	Ground
Yellow	Left Turn / Stop
Brown	Tail Lights
Black	-
Green	Right Turn / Stop
Red	-



When not in use, the hitch extension is stored on the right (“uphill”) tube rail of the Flexcart 48 as shown below. The trailer can be used with the hitch extension stored in this position. The hangers are installed at the shown location on the right tube rail with 1/2” x 5-1/2” carriage head bolts and nylon lock nuts.



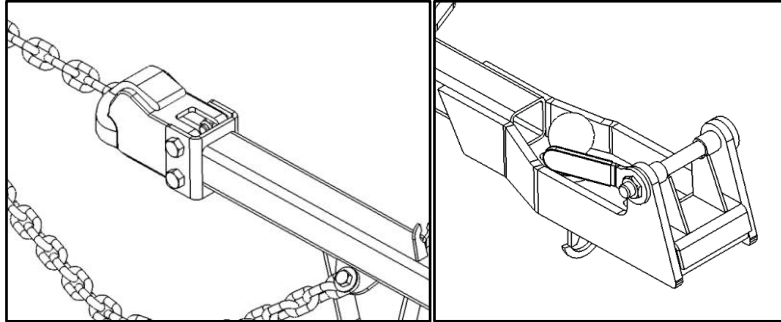
The Hitch Extension is then placed in the hangers and secured in place using the draw latches. The safety chains and hitch extension electrical wiring are secured in the Transport Chain Caddy.





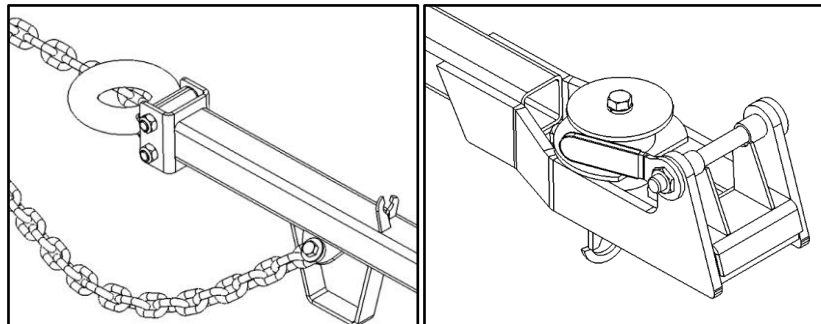
Optional Hitch Extension – 2-5/16” Ball Hitch Kit (# 35028)

This kit transitions from a 2-5/16” ball receiver on the trailer to a 2-5/16” ball on the towing vehicle. It must be installed on the hitch extension kit #35027.



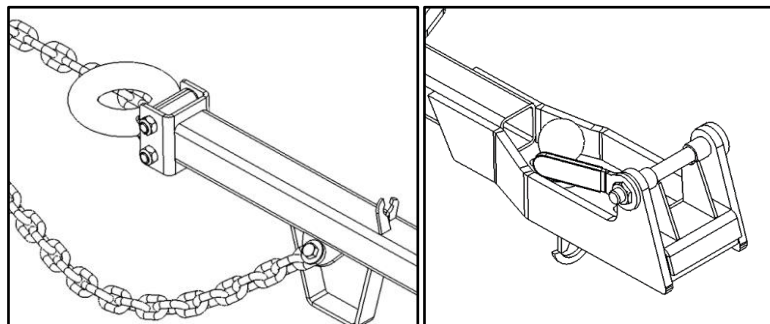
Optional Hitch Extension – 3” Pintle Hitch Kit (#35029)

This kit transitions from a 3” lunette ring on the trailer to a pintle hitch on the towing vehicle. It must be installed on the hitch extension kit #35027.



Optional Hitch Extension – Ball to Pintle Hitch Kit (#35252)

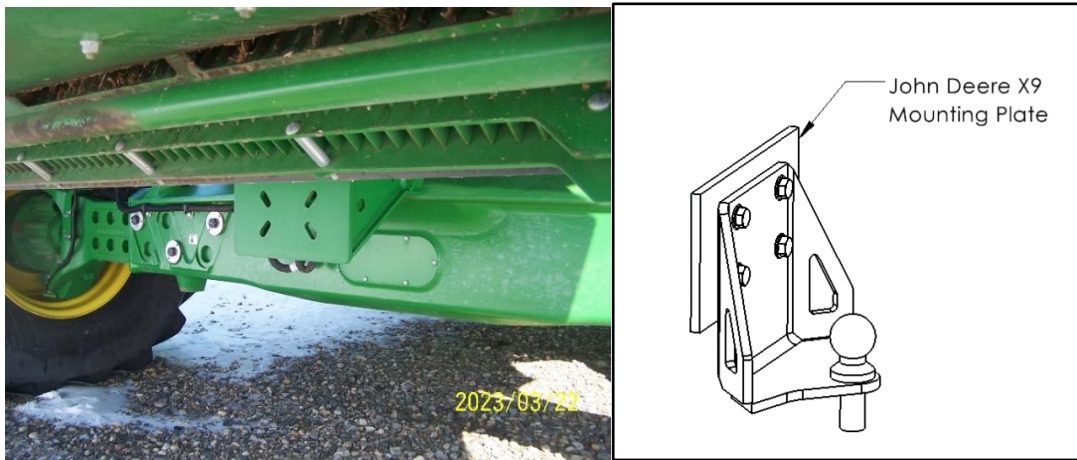
This kit transitions from a 2-5/16” ball receiver on the trailer to a pintle hitch on the towing vehicle. It must be installed on the hitch extension kit #35027.





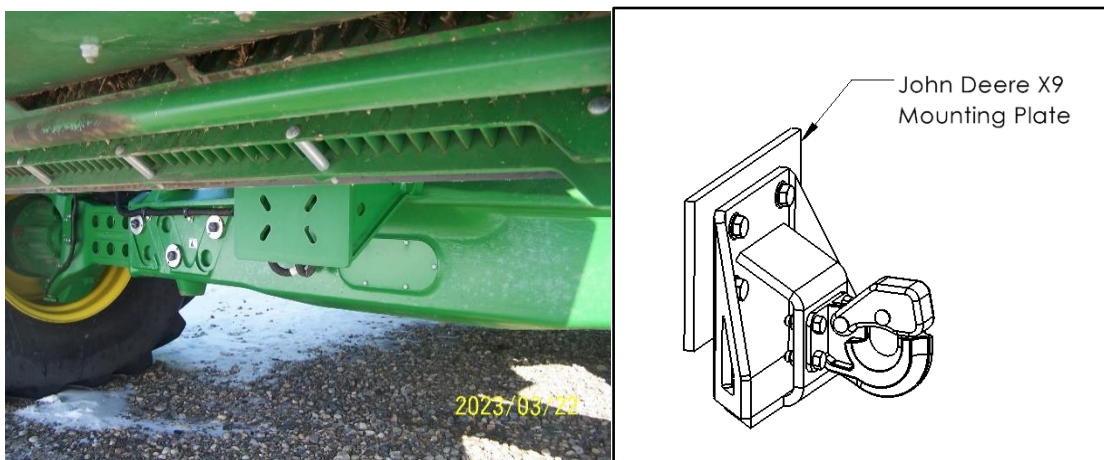
Optional X9 Ball Hitch Adaptor (# 35030)

The optional X9 ball hitch adaptor is used to add a 2-5/16” ball to the back of a John Deere X9 combine for towing a Flexcart 48. This option is **only compatible with a John Deere X9 series combine**. The hitch adaptor is bolted onto the back of the combine. There is a mounting plate on the back axle, using 5/8” x 2” bolts, 5/8” stover lock nuts, and 5/8” washers.



Optional X9 Pintle Hitch Adaptor (35031)

The optional X9 pintle hitch adaptor is used to add a 3” pintle hitch to the back of a John Deere X9 combine for towing a Flexcart 48. This option is **only compatible with a John Deere X9 series combine**. The Hitch adaptor is bolted onto the back of the combine, there is a mounting plate on the back axle, using 5/8” x 2” bolts, 5/8” stover lock nuts, and 5/8” washers.





Service & Maintenance

With proper service and maintenance, your FlexCart trailer will provide years of trouble-free operation. As is typical with other seasonal pieces of equipment, setting up for long term storage in the off season is critical for longevity. There are a few key areas that require special attention:

Axles:

- The FlexCart features Dexter or Lippert EZ-Lube axles. Lubricate as follows:
 - o Remove the rubber plug inside the hub cap
 - o Install a grease gun to the zerk inside. Apply grease until new grease begins to flow back through the bearings.
 - o Rotate the hub slowly while applying grease
 - o Wipe away excess grease, and reinstall the rubber cap
- Check all mounting bolts.
- Inspect the hub bearings. There should be minimal play in the hub. It should spin smoothly, with some resistance, but still easily by hand. Check for grease coming out of the inner seal.
- Full removal and inspection should be done at 12000 miles.
- *Consult the Dexter or Lippert service manual:*

https://www.dexteraxle.com/user_area/content_media/raw/600-8k_complete_service_manual.pdf

<https://support.lci1.com/axles-chassis-and-suspension-support-torsion-axles>

Brakes:

- Check the breakaway battery kit. Push the button on the side of the gooseneck. If necessary, charge the battery (12 volt DC). This can be done by plugging the trailer into a vehicle for up to 20 minutes.
- If sitting long term, the battery can be removed and stored in a warm dry location. This will help to prevent premature damage to the battery. Periodic charging may be necessary.
- Check that each brake is operational. This should be done before every trip.
- Readjust the brakes after 200 miles.
- Fully disassemble and inspect the brakes after 12000 miles.
- *Consult the Dexter or Lippert service manual:*

https://www.dexteraxle.com/user_area/content_media/raw/600-8k_complete_service_manual.pdf

<https://support.lci1.com/axles-chassis-and-suspension-support-torsion-axles>



Lights:

- Inspect the wires for bare spots, fraying, etc.
- Inspect the weather pack connectors. Make sure they are properly connected.
- Check that the 7-pin plug functions properly

Tires:

- Check tire pressure
- Check wheel nut torque
- Check tires for cracks, tread life, uneven wear, & flat spots
- If sitting long term, jacking the frame up will help to avoid flat spots forming in the tires.

10 ply	14 ply	<i>Check sidewall</i>
80 psi	110 psi	
130 ft-lb		

Front Dolly:

- Grease the pivot (both top and bottom)
- Check that the hitch pole connection to the dolly is tight. It should have little to no play side to side, but still be able to move up and down with minor pressure. Adjust the castle nut as necessary. It should be tight enough to hold the hitch in the air, but still be able to be pushed up and down by hand.
- Check that the fenders are not in contact with the tires, and have enough clearance to handle bumps.
- Check that the wires have not wrapped around the pivot shaft, and that they have sufficient slack to allow for turning
- Make sure that the telescoping hitch can freely open and close, and that the lock functions properly and securely.

Off-Season Storage

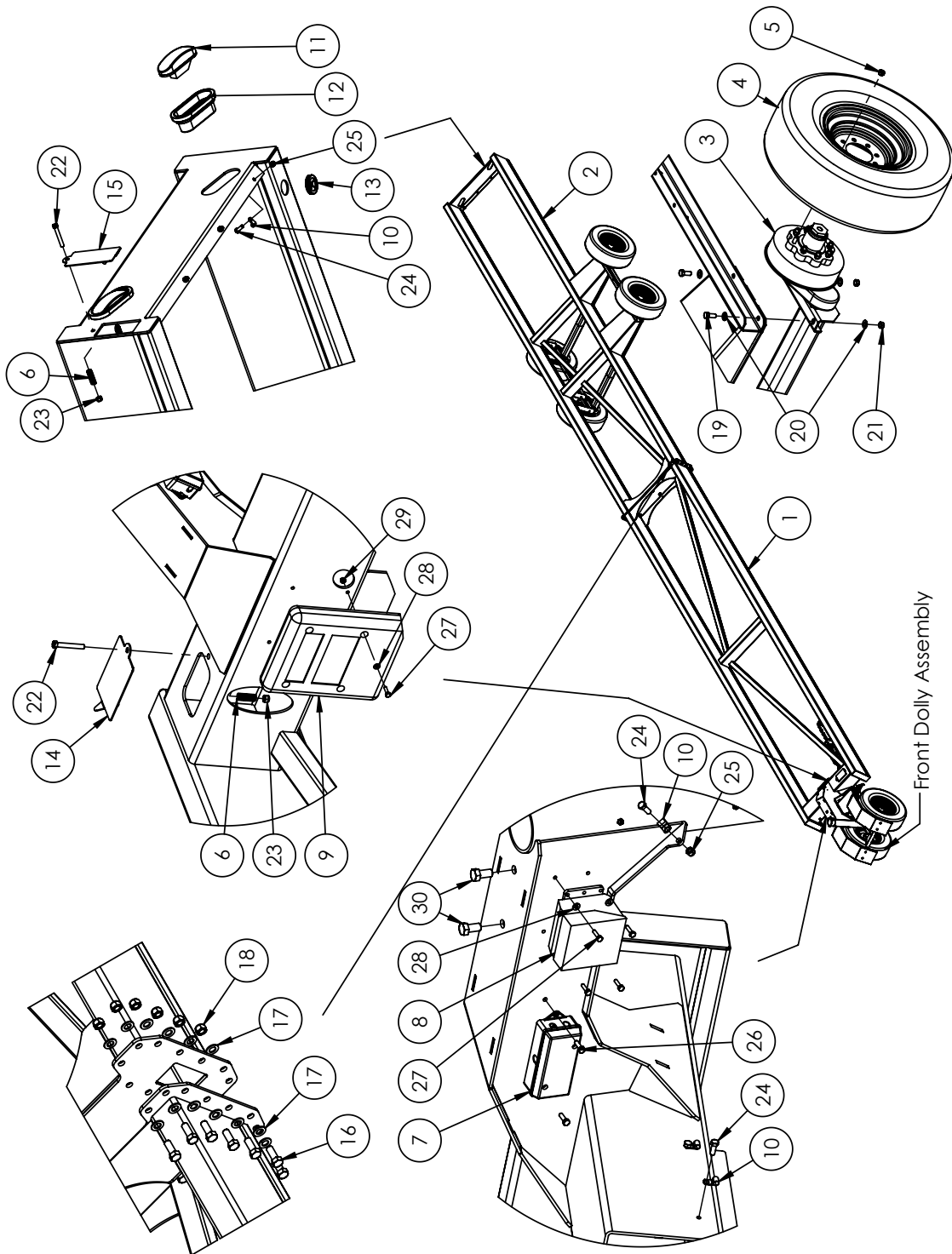
- Park in a high, flat area, not prone to flooding. Always chock the wheels (one chock each side of the two outside tires). The brakes do not work unless plugged in.
- Remove the breakaway battery and store in a warm, dry area. Periodically charge as necessary.
- Raise the hitch off of the ground. Make sure all chains & cables are held off the ground.
- Inspect the frame flange hardware. Replace any damaged or missing hardware.



PARTS BOOK

Main Frame

S/N 26168 & above





MAIN FRAME

S/N 26168 & above

	Description	ID #	QTY		Description	ID #	QTY
1	Main Frame Front	34165	1	16	Bolt, 3/4 x 2"	13800	24
2	Main Frame Rear	34403	1	17	Washer, 3/4" Flat	13717	48
3	Complete Rear Axle 8000# # see hub breakdown	34367	2	18	Nut, 3/4" Stover Lock	11823	24
4	Wheel, ST235/80R16, 14 ply ¹	-	4	19	Bolt, 5/8 x 1-1/2"	33953	8
5	Wheel Nut	15948	32	20	Washer, 5/8" Flat	13975	16
6	Spring, 11/16 x 2"	21713	2	21	Nut, 5/8" Stover Lock	18055	8
7	Junction Box	13668	1	22	Bolt, 7/16 x 3"	21784	2
8	Breakaway Kit ²	12025	1	23	Nut, 7/16" Nylon Lock	10799	2
9	Operator Manual Holder	22409	1	24	Bolt, 3/8 x 1"	13806	6
10	Wiring Clamp	13629	6	25	Nut, 3/8" Nylon Lock	10806	4
11	Red Light	21721	2	26	Bolt, 5/16 x 1"	20906	2
12	Light Grommet	21723	2	27	Bolt, 1/4 x 1"	11810	8
13	Wiring Grommet	34107	4	28	Washer, 1/4" Flat	11666	8
14	Front Storage Cover Plate	34161	1	29	Nut, 1/4" Nylon Lock	11664	4
15	Rear Storage Cover Plate	34160	1	30	Bolt, 5/8 x 1-1/4"	24645	2

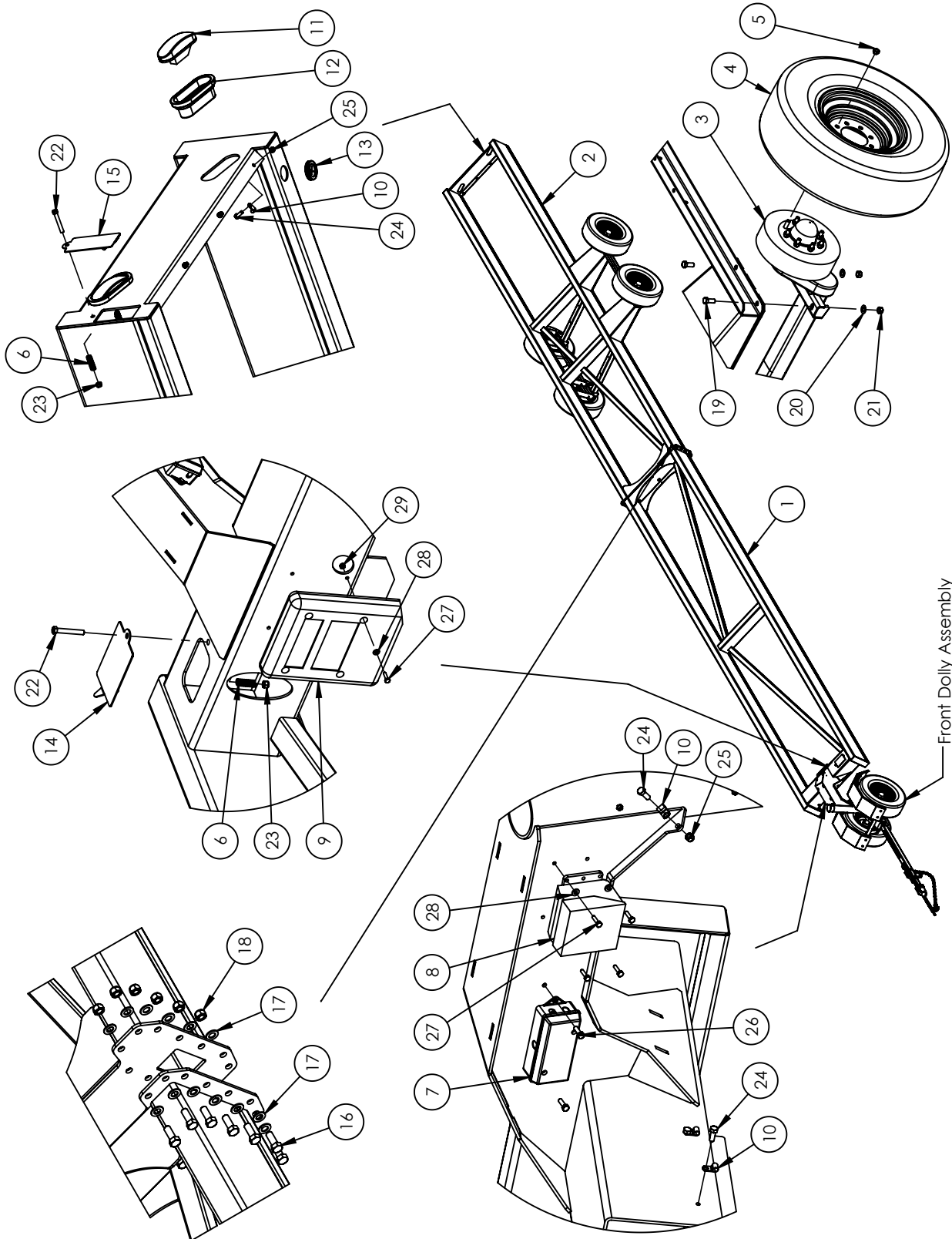
¹ Tires & rims are not available from Bridgeview. See your local tire dealer.

² Breakaway kit includes breakaway plug & battery / control box



Main Frame

S/N 26167& below





MAIN FRAME

S/N 26167 & below

	Description	ID #	QTY		Description	ID #	QTY
1	Main Frame Front	34165	1	15	Rear Storage Cover Plate	34160	1
2	Main Frame Rear	34166	1	16	Bolt, 3/4 x 2"	13800	22
3	Complete Rear Axle 7000# # see hub breakdown	33917	2	17	Washer, 3/4" Flat	13717	44
4	Wheel, ST235/80R16, 10 ply ¹	-	4	18	Nut, 3/4" Stover Lock	11823	22
5	Wheel Nut	15948	32	19	Bolt, 5/8 x 1-1/2"	33953	8
6	Spring, 11/16" x 2"	21713	2	20	Washer, 5/8" Flat	13975	8
7	Junction Box	13668	1	21	Nut, 5/8" Stover Lock	18055	8
8	Breakaway Kit ²	12025	1	22	Bolt, 7/16 x 3"	21784	2
9	Operator Manual Holder	22409	1	23	Nut, 7/16" Nylon Lock	10799	2
10	Wiring Clamp	13629	6	24	Bolt, 3/8 x 1"	13806	6
11	Red Light	21721	2	25	Nut, 3/8" Nylon Lock	10806	4
12	Light Grommet	21723	2	26	Bolt, 5/16 x 1"	20906	2
13	Wiring Grommet	34107	4	27	Bolt, 1/4 x 1"	11810	8
14	Front Storage Cover Plate	34161	1	28	Washer, 1/4" Flat	11666	8
				29	Nut, 1/4" Nylon Lock	11664	4

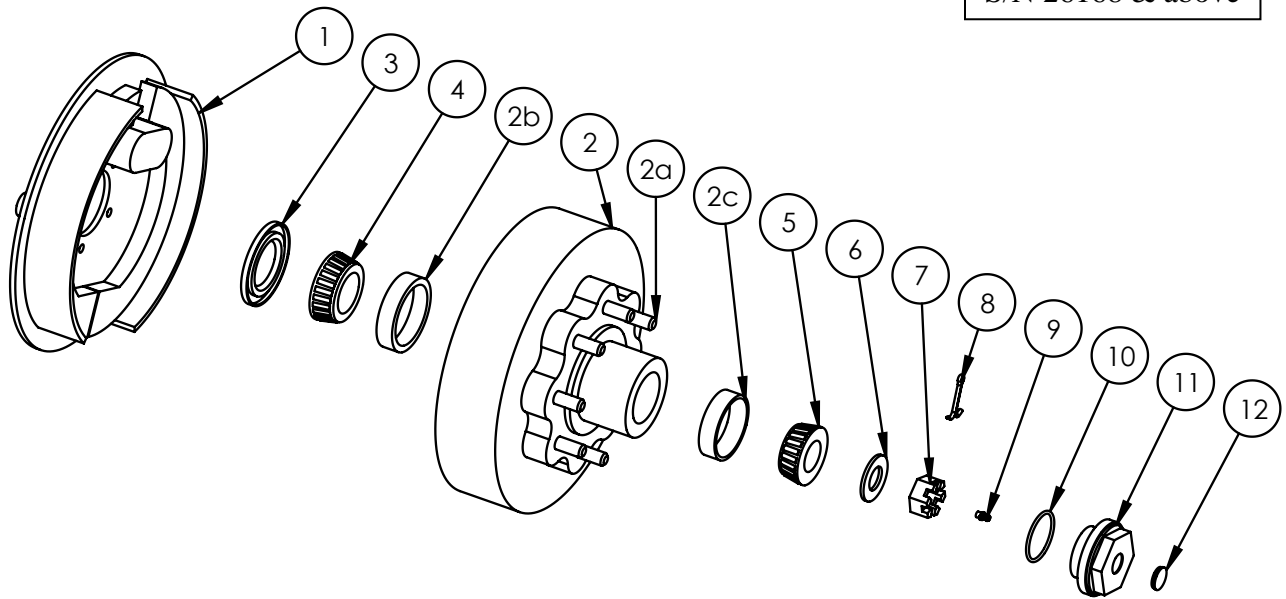
¹ Tires & rims are not available from Bridgeview. See your local tire dealer.

² Breakaway kit includes breakaway plug & battery / control box



Rear Hub Breakdown – 8000# Lippert Axle

S/N 26168 & above



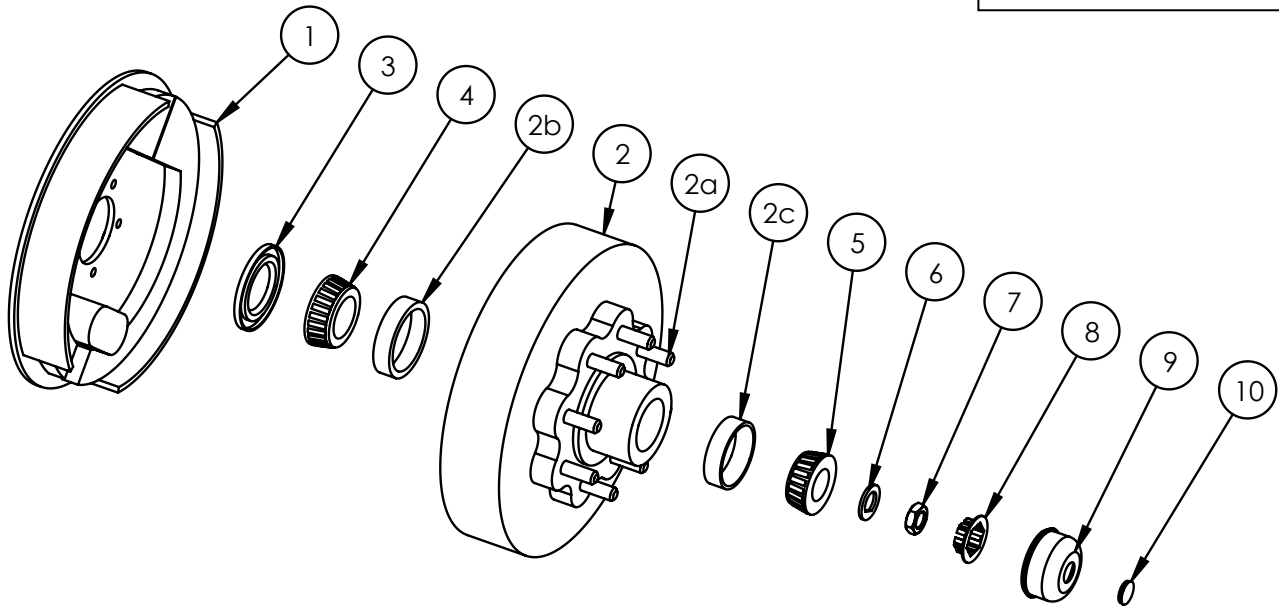
	Description	ID #	QTY
	<i>COMPLETE 8000# AXLE</i>	34367	-
1a	Complete Brake Assembly LH	34869	1
1b	Complete Brake Assembly RH	34870	1
2	Complete Hub Assembly # Includes studs & races	34871	1
2a	Drive-in Stud, 9/16"	34223	8
2b	Inner Bearing Race #25520	10349	1
2c	Outer Bearing Race #02420	34874	1
3	Seal	34227	1
4	Inner Bearing #22280	34224	1

	Description	ID #	QTY
5	Outer Bearing #02475	34873	1
6	Washer	34879	1
7	Castle Nut	16087	1
8	Cotter Pin	16089	1
9	Grease Zerk	34875	1
10	O-Ring	34876	1
11	Dust Cap	34872	1
12	Dust Cap Plug	34878	1



Rear Hub Breakdown – 7000# Dexter Axle

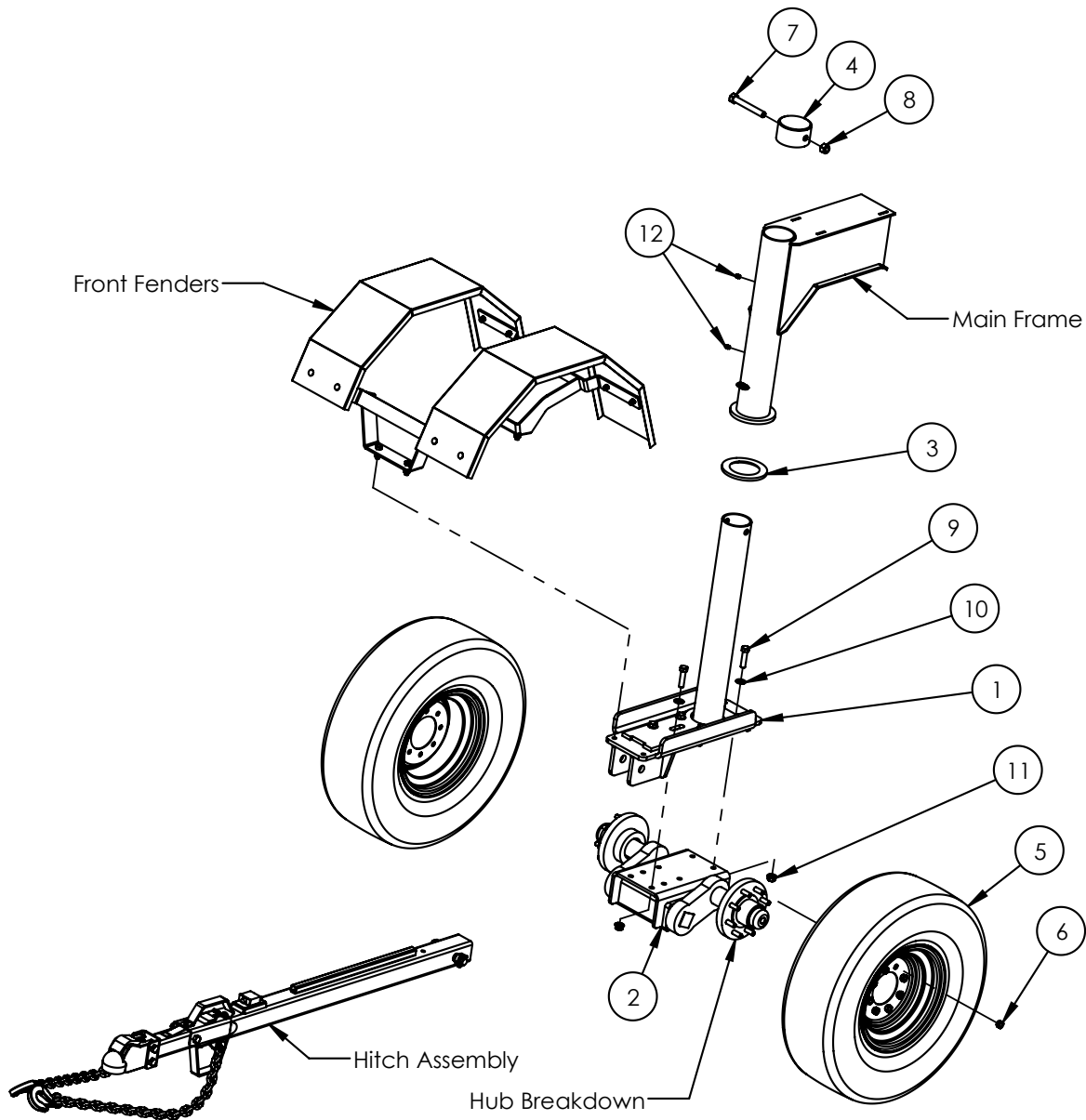
S/N 26167 & below



	Description	ID #	QTY		Description	ID #	QTY
	<i>COMPLETE 7000# AXLE</i>	33917	-	3	Seal	34227	1
1a	Complete Brake Assembly LH # Individual parts through Dexter	34220	1	4	Inner Bearing #25580	34224	1
1b	Complete Brake Assembly RH # Individual parts through Dexter	34221	1	5	Outer Bearing #14125A	34225	1
2	Complete Hub Assembly # Includes studs & races	34222	1	6	D-Washer	34231	1
2a	Drive-in Stud, 9/16"	34223	8	7	Nut	34232	1
2b	Inner Bearing Race #25520	10349	1	8	Retainer	34233	1
2c	Outer Bearing Race #14275	34226	1	9	Dust Cap	34228	1
				10	Dust Cap Plug	34229	1



Dolly Assembly

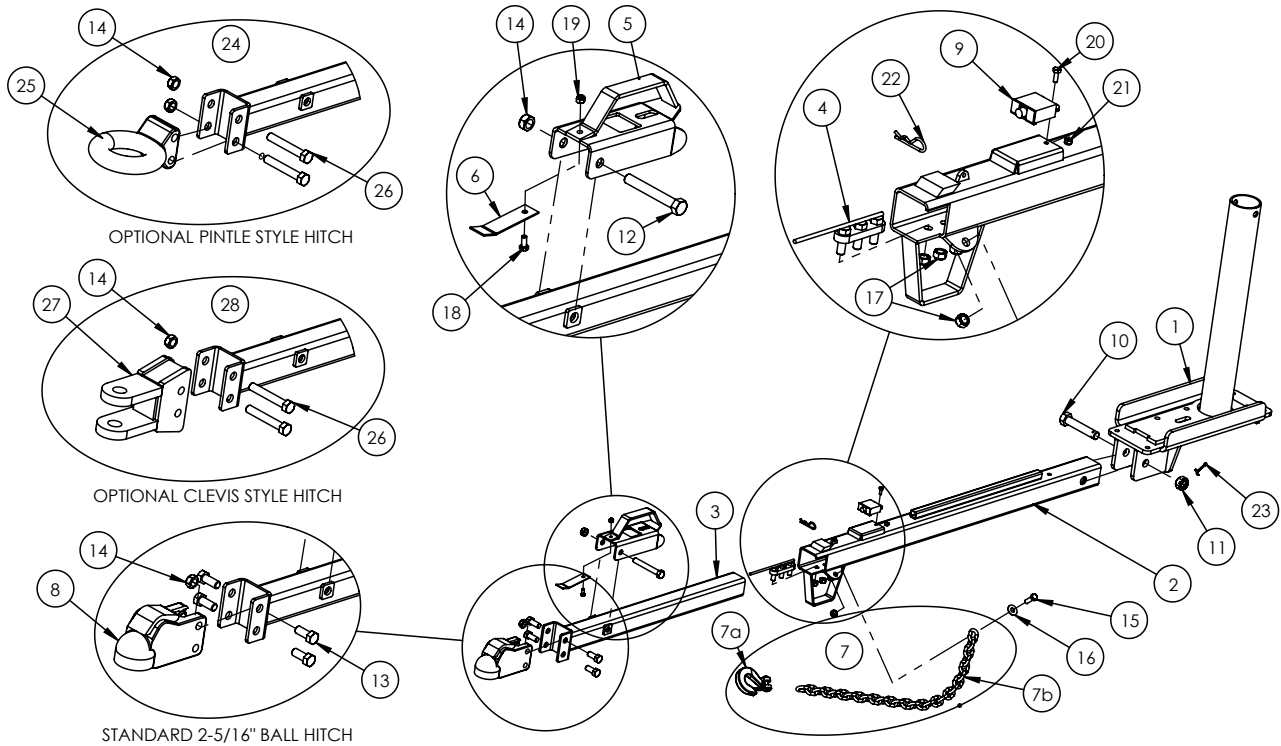


	Description	ID #	QTY		Description	ID #	QTY
1	Hitch Axle Pivot	34158	1	7	Bolt, 3/4 x 5-1/2"	14471	1
2	Front Axle Assembly	34844	1	8	Nut, 3/4" Stover Lock	11823	1
3	Hitch Pivot Washer	33948	1	9	Bolt, 5/8 x 2-1/2" NF Gr.8	14649	6
4	Hitch Pivot Cap	34167	1	10	Washer, 5/8" Flat	13975	6
5	Wheel, ST235/80R16, 10 ply ¹	-	2	11	Nut, 5/8" Stover Flange NF	15398	6
6	Wheel Nut	15948	16	12	Grease Zerk, 1/8" NPT	10270	2

¹ Tires & rims are not available from Bridgeview. See your local tire dealer.



Hitch Assembly

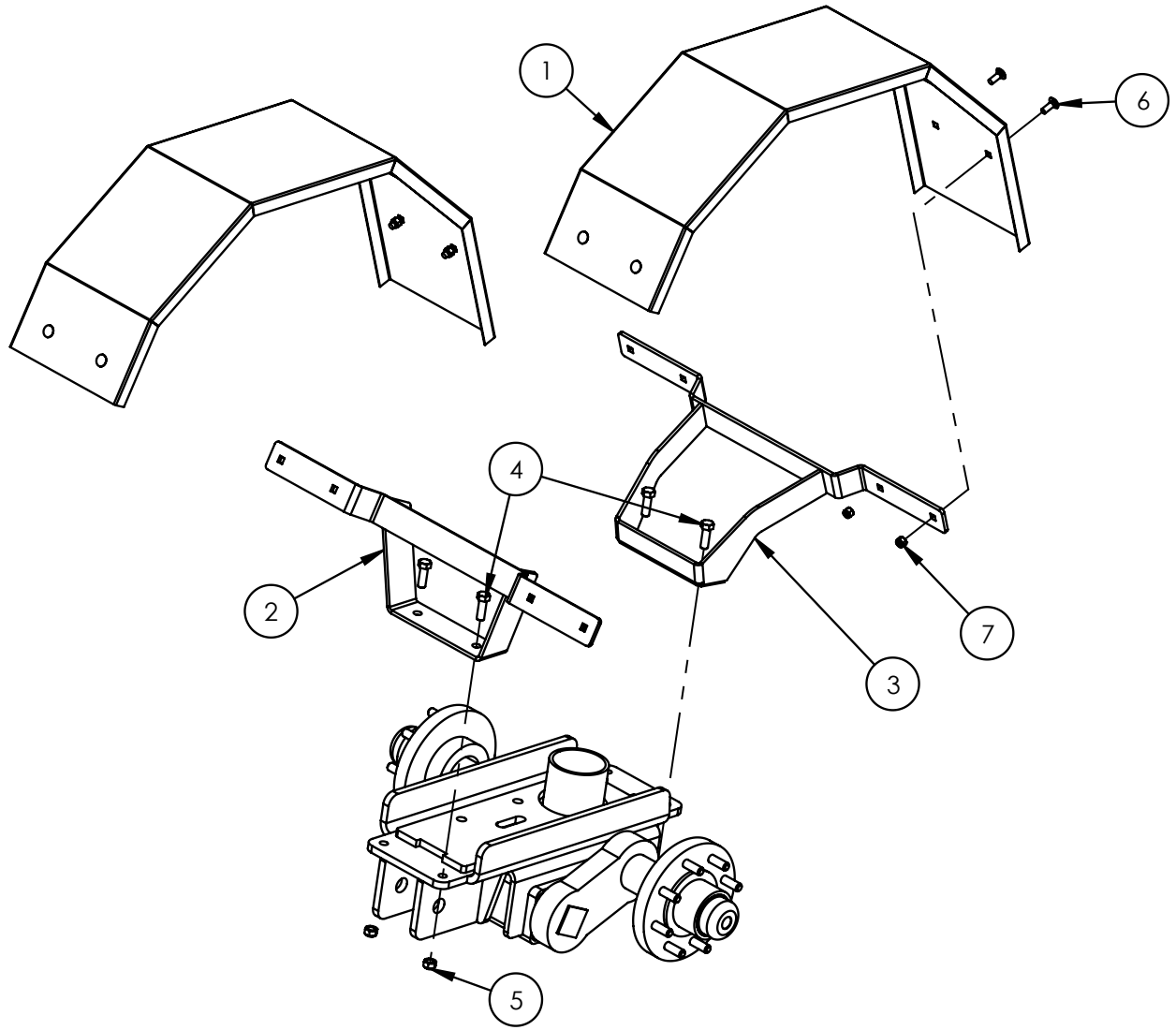


	Description	ID #	QTY		Description	ID #	QTY
1	Dolly Mount	34158	1	14	Nut, 5/8" Stover Lock	18055	5
2	Inner Drawbar	34156	1	15	Bolt, 1/2 x 1-1/2" Gr.8	19237	2
3	Outer Drawbar	34154	1	16	Washer, 1/2" Flat	13790	2
4	Drawbar Telescope Stopper	34155	1	17	Nut, 1/2" Stover Lock	14393	5
5	Telescope Lock Bracket	34157	1	18	Bolt, 5/16 x 3/4"	20903	1
6	Telescope Lock Spring	33979	1	19	Nut, 5/16" Nylon Lock	11815	1
7	Safety Chain – Complete * Includes 7a,7b	33943	2	20	Bolt, 1/4 x 3/4"	11809	1
7a	Safety Chain Hook	34149	2	21	Nut, 1/4" Nylon Lock	11664	1
7b	Safety Chain	13960	2	22	Hair Pin	16363	1
8	Ball Hitch, 2-5/16"	33941	1	23	Cotter Pin, 3/16 x 2"	11670	1
9	Breakaway Kit ²	12025	1	24	Optional Pintle Hitch Kit * Includes 25,26,14	34240	*
10	Bolt, 1 x 5-1/4" NF	33978	1	25	3" Pintle Hitch Tow Ring	15885	1
11	Castle Nut, 1"	23566	1	26	Bolt, 5/8 x 4" Gr.8	33037	2
12	Bolt, 5/8 x 4-1/2" Gr.8	14255	1	27	Optional Clevis Hitch Kit * Includes 28, 26, 14	34384	1
13	Bolt, 5/8 x 1-1/2" Gr.8	33953	4	28	Clevis Hitch	NSS	1

² Breakaway kit includes breakaway plug & battery / control box



Front Fenders

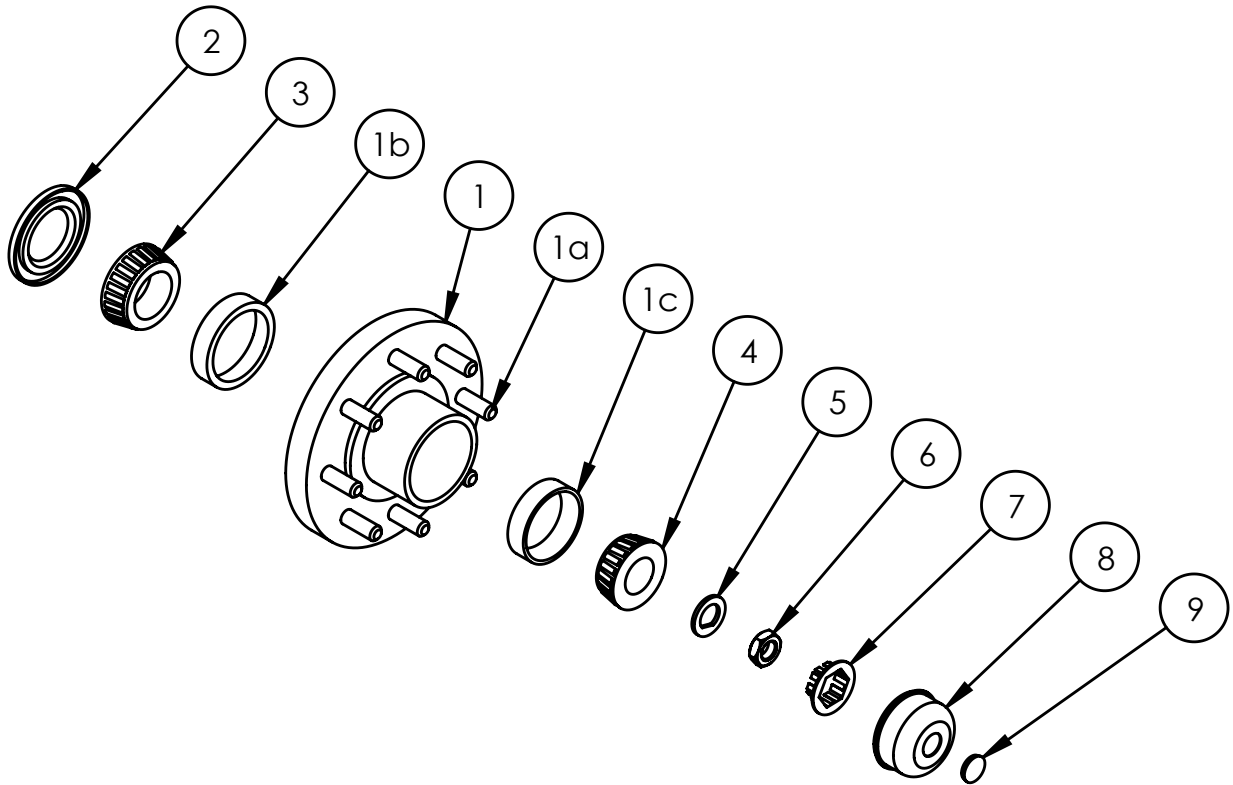


	Description	ID #	QTY
1	Fender	34162	2
2	Front Fender Mount A	34164	1
3	Front Fender Mount B	34163	1
4	Bolt, 1/2 x 1-1/2"	10174	4

	Description	ID #	QTY
5	Nut, 1/2" Stover Lock	14393	4
6	Bolt, 3/8 x 1" Carriage	15718	8
7	Nut, 3/8" Nylon Lock	10806	8



Front Hub Breakdown



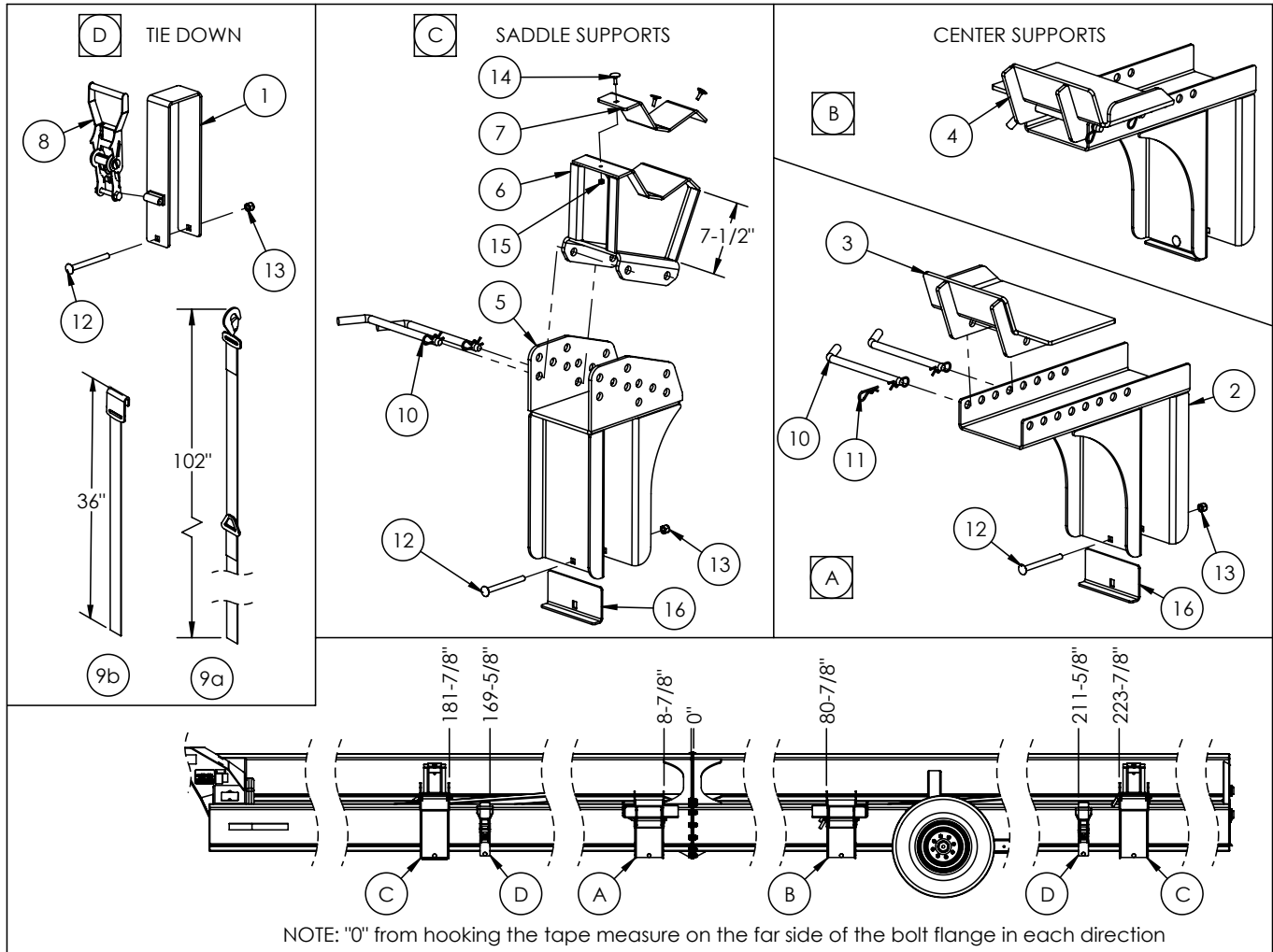
	Description	ID #	QTY
	<i>COMPLETE 6500# AXLE</i>	33918	-
1	Complete Hub Assembly # Includes studs & races	34230	1
1a	Drive-in Stud, 9/16"	34223	8
1b	Inner Bearing Race #25520	10349	1
1c	Outer Bearing Race #14275	34226	1
2	Seal	34227	1
3	Inner Bearing #25580	34224	1

	Description	ID #	QTY
4	Outer Bearing #14125A	34225	1
5	D-Washer	34231	1
6	Nut	34232	1
7	Retainer	34233	1
8	Dust Cap	34228	1
9	Dust Cap Plug	34229	1



Header Mounts

John Deere HD50R Bracket Package #33908



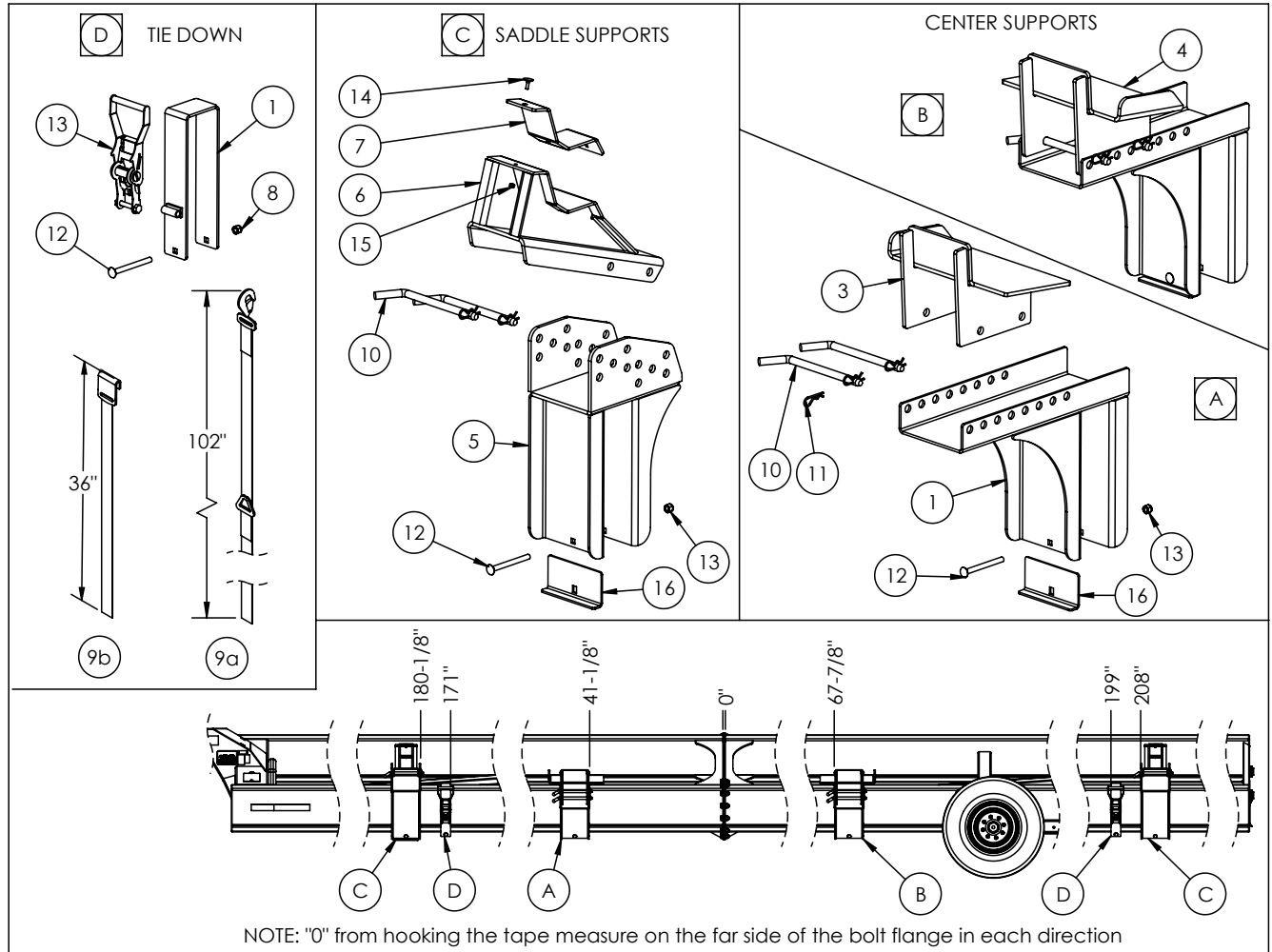
	Description	ID #	QTY
1	Ratchet Holder Bracket	34169	2
2	Saddle Mount	34168	2
3	Left Saddle	34172	1
4	Right Saddle	34171	1
5	Pipe Saddle Mont	34170	2
6	Pipe Saddle	34173	2
7	Saddle Wear Pad	34093	2
8	Ratchet	33929	2
9a	Ratchet Strap, 2" x 102"	33944	2

	Description	ID #	QTY
9b	Ratchet Strap, 2" 36" #Optional	33972	n/a
10	Pin, 3/4 x 9" *Includes hairpin 11	33949	8
11	Hair pin	16363	8
12	Bolt, 1/2 x 5-1/2" Carriage	32983	6
13	Nut, 1/2" Nylon Lock	10241	6
14	Bolt, 1/4 x 1" Elevator	17970	6
15	Nut, 1/4" Nylon Lock	11664	6
16	Saddle Mount Shim	34881	4



Header Mounts

Geringhoff Bracket Package #34346



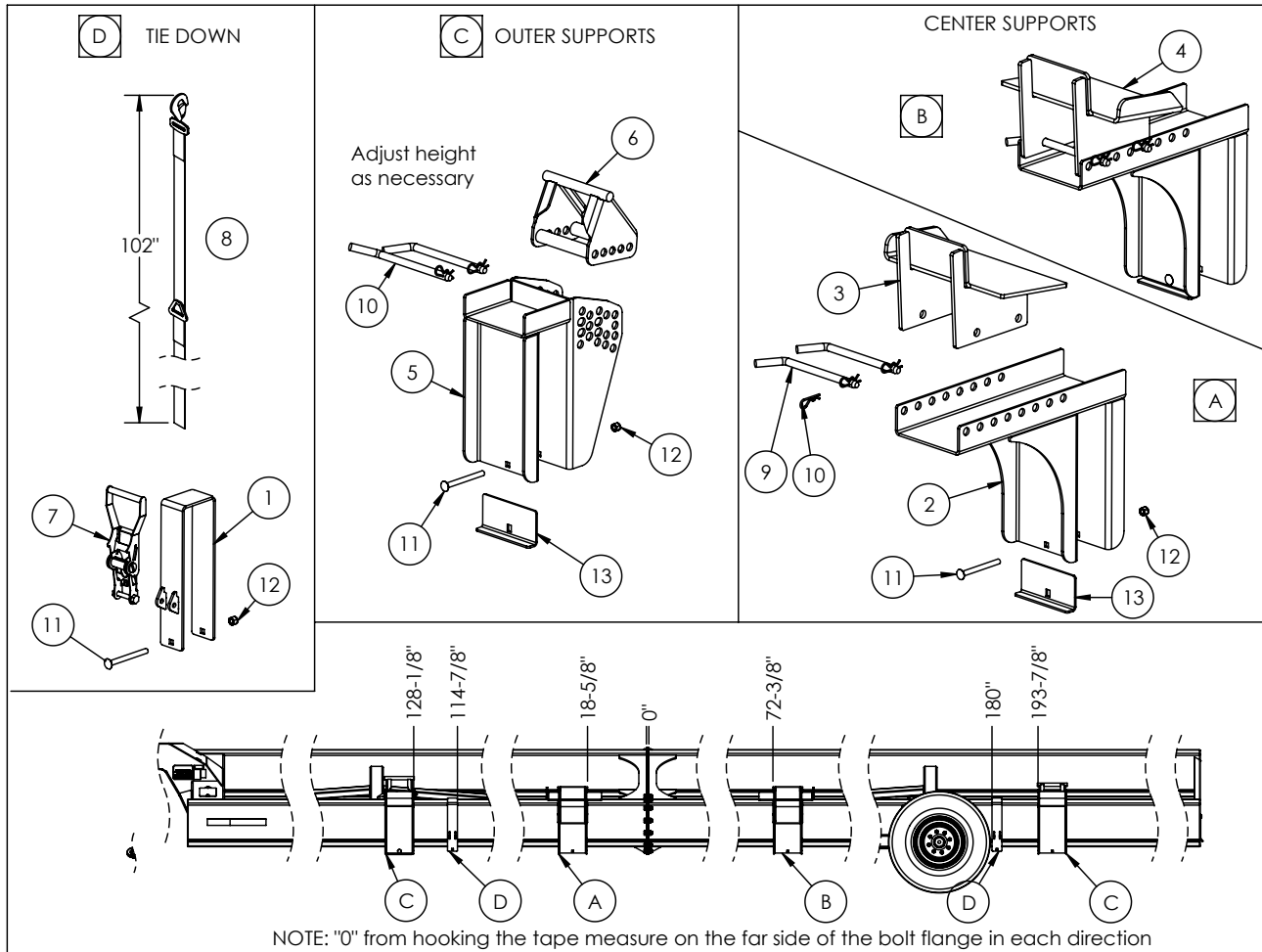
	Description	ID #	QTY
1	Ratchet Holder Bracket	34169	2
2	Saddle Mount	34168	2
3	Left Saddle	34359	1
4	Right Saddle	34360	1
5	Pipe Saddle Mount	34170	2
6	Pipe Saddle	34361	2
7	Saddle Wear Pad	34093	2
8	Ratchet	33929	2
9a	Ratchet Strap, 2" x 102"	33944	2

	Description	ID #	QTY
9b	Ratchet Strap, 2" 36" #Optional	33972	n/a
10	Pin, 3/4 x 9" *Includes hairpin 11	33949	8
11	Hair pin	16363	8
12	Bolt, 1/2 x 5-1/2" Carriage	32983	6
13	Nut, 1/2" Nylon Lock	10241	6
14	Bolt, 1/4 x 1" Elevator	17970	6
15	Nut, 1/4" Nylon Lock	11664	6
16	Saddle Mount Shim	34881	4



Header Mounts

MacDon Bracket Package #34406

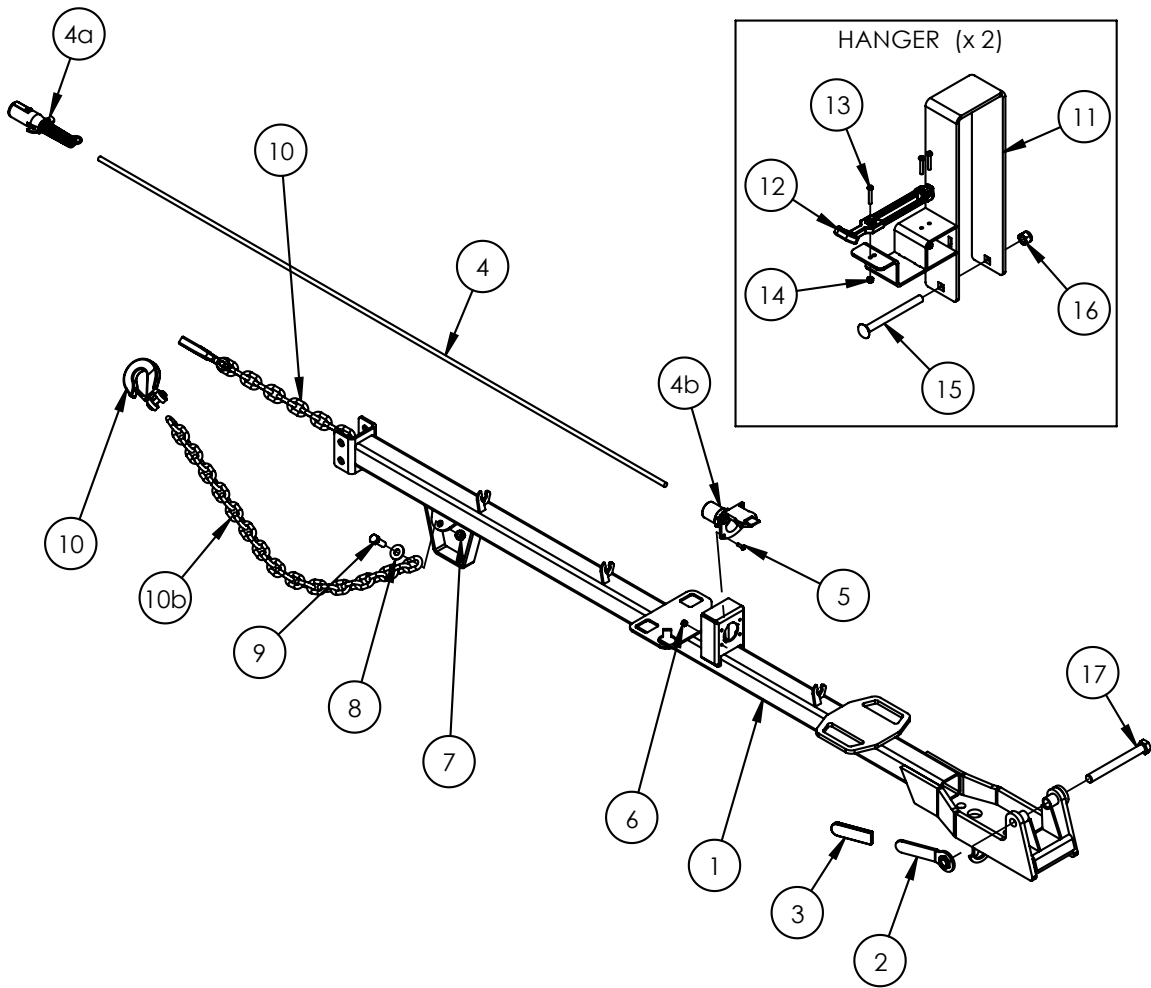


	Description	ID #	QTY
1	Ratchet Holder Bracket	34169	2
2	Saddle Mount	34168	2
3	Left Saddle	34359	1
4	Right Saddle	34360	1
5	Outside Support Mount	35060	2
6	Outside Support Bracket	35061	2
7	Ratchet	33929	2

	Description	ID #	QTY
8	Ratchet Strap, 2" x 102"	33944	2
9	Pin, 3/4 x 9" *Includes hairpin 11	33949	8
10	Hair pin	16363	8
11	Bolt, 1/2 x 5-1/2" Carriage	32983	6
12	Nut, 1/2" Nylon Lock	10241	6
13	Saddle Mount Shim	34881	4



Optional Hitch Extension

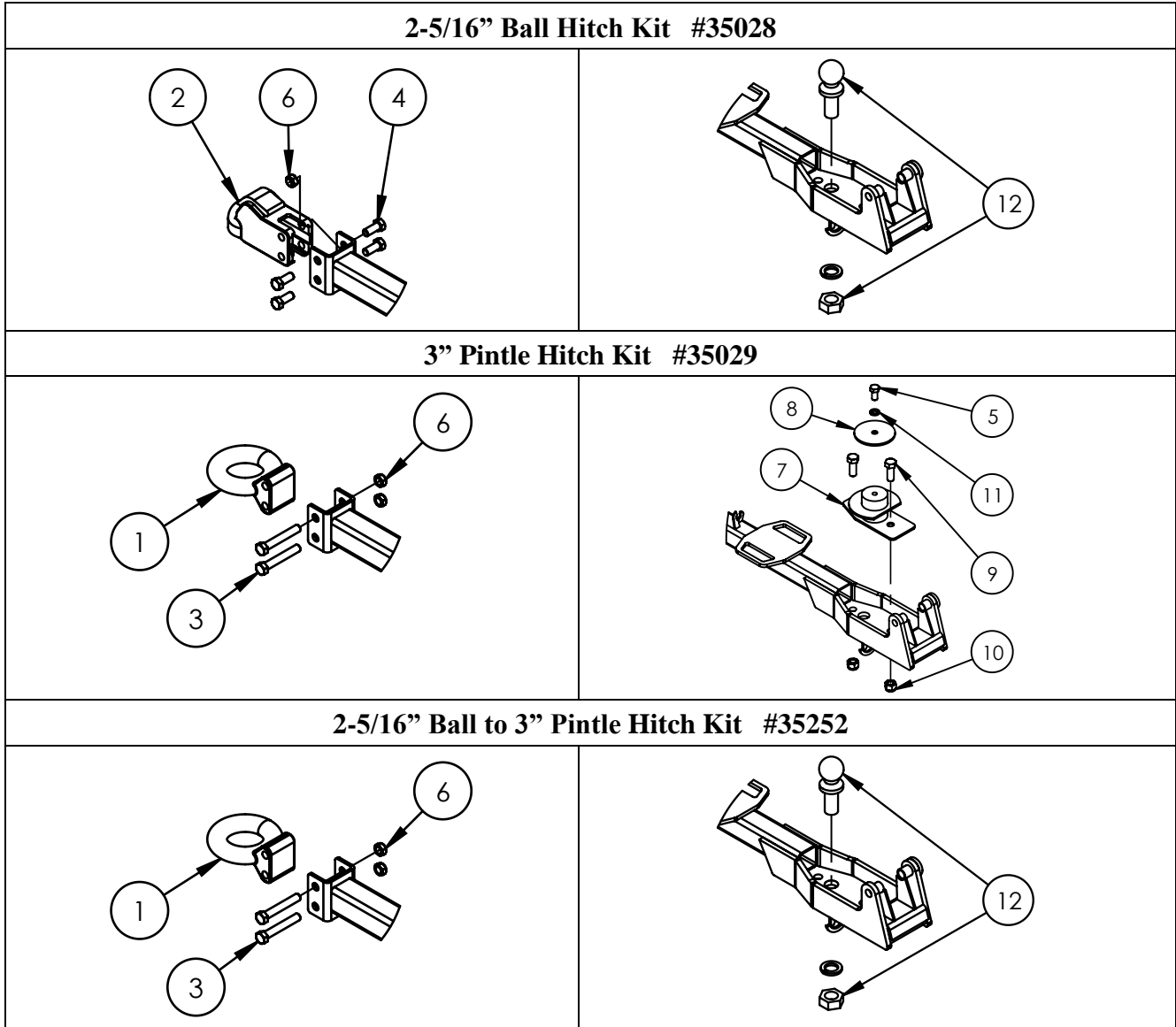


	Description	ID #	QTY
1	Extension Hitch Weldment	34992	1
2	Hitch Extension Wing Handle	34994	1
3	Rubber Handle	10297	1
4	Hitch Extension Cord	35054	1
4a	Trailer Plug	12608	1
4b	Female Trailer Plug	35069	1
5	Bolt, #12 x 3/4"	17555	4
6	Nut, #12 Nylon Lock	34989	4
7	Nut, 1/2" Stover Lock	14393	2
8	Washer, 1/2" Flat	13790	2
9	Bolt, 1/2" x 1-1/2"	19237	2

	Description	ID #	QTY
10	Safety Chain – Complete Includes 10a, & 10b	33943	2
10a	Safety Chain Hook	34149	2
10b	Safety Chain	13960	2
11	Hitch Extension Hanger	34996	2
12	4-9/16" Draw Latch	34990	2
13	Bolt, #10 x 1-1/4"	24441	6
14	Nut, #10 Nylon Lock	31110	6
15	Bolt, 1/2" x 5-1/2" Carriage	32983	2
16	Nut, 1/2" Nylon Lock	10241	2
17	3/4 x 7" Bolt	18032	1



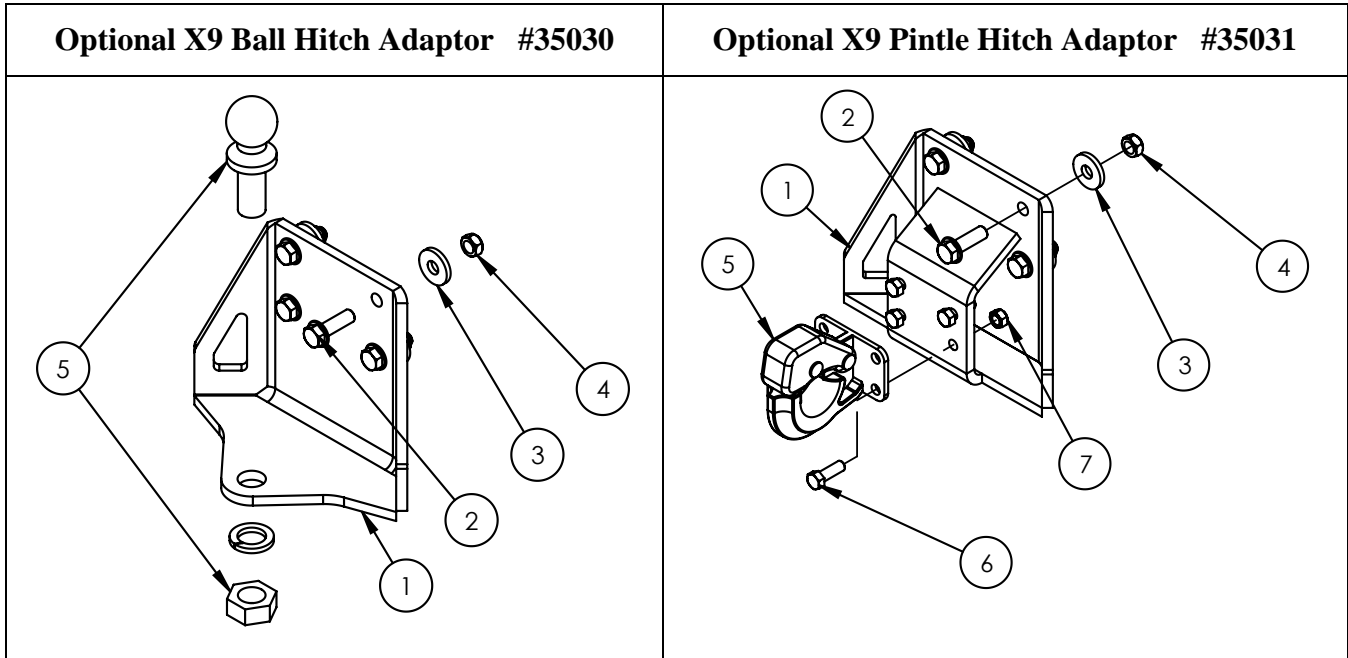
Optional Hitch Extension



	Description	ID #	QTY		Description	ID #	QTY
1	3" Pintle Hitch Tow Ring	15885	1	7	3" Lunette Ring Pin	35002	1
2	Ball Hitch, 2-5/16"	33941	1	8	Tow Ring Cap	35026	1
3	Bolt, 5/8 x 4" Gr.8	33037	2	9	Bolt, 3/4 x 2"	21243	2
4	Bolt, 5/8 x 1-1/2" Gr.8	33953	4	10	Nut, 3/4" Nylon Lock	10007	2
5	Bolt, 5/8" x 1-1/4"	24645	1	11	Washer, 5/8" Lock	10276	1
6	Nut, 5/8" Stover Lock	18055	2	12	Trailer Ball 2-5/16"	34987	1



Optional Hitch Extension



ID #	Description	ID #	QTY
1	X9 Ball Hitch Adaptor	34998	1
2	X9 Pintle Hitch Adaptor	35000	1
3	Trailer Ball 2-5/16"	34987	1
4	Pintle Hitch	34988	1
5	Bolt, 5/8" x 2" SF	17685	4

ID #	Description	ID #	QTY
6	Washer, 5/8" Flat Heavy Duty	21390	4
7	Nut, 5/8" Stover Lock	18055	4
8	Bolt, 1/2" x 1-1/2"	19237	4
9	Nut, 1/2" Stover	14393	4



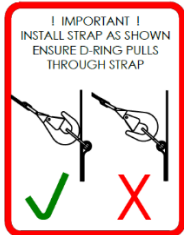
Decals



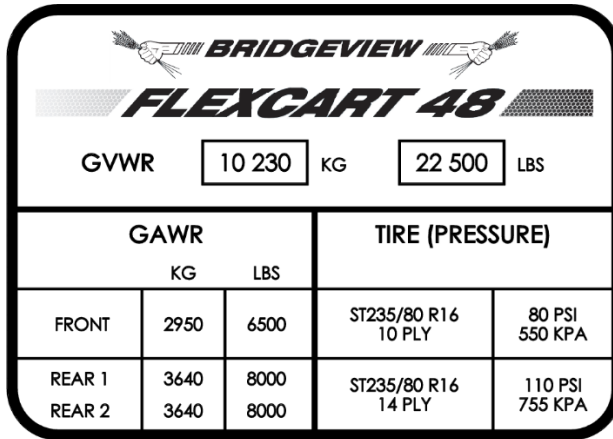
1



2



7



3



4



5



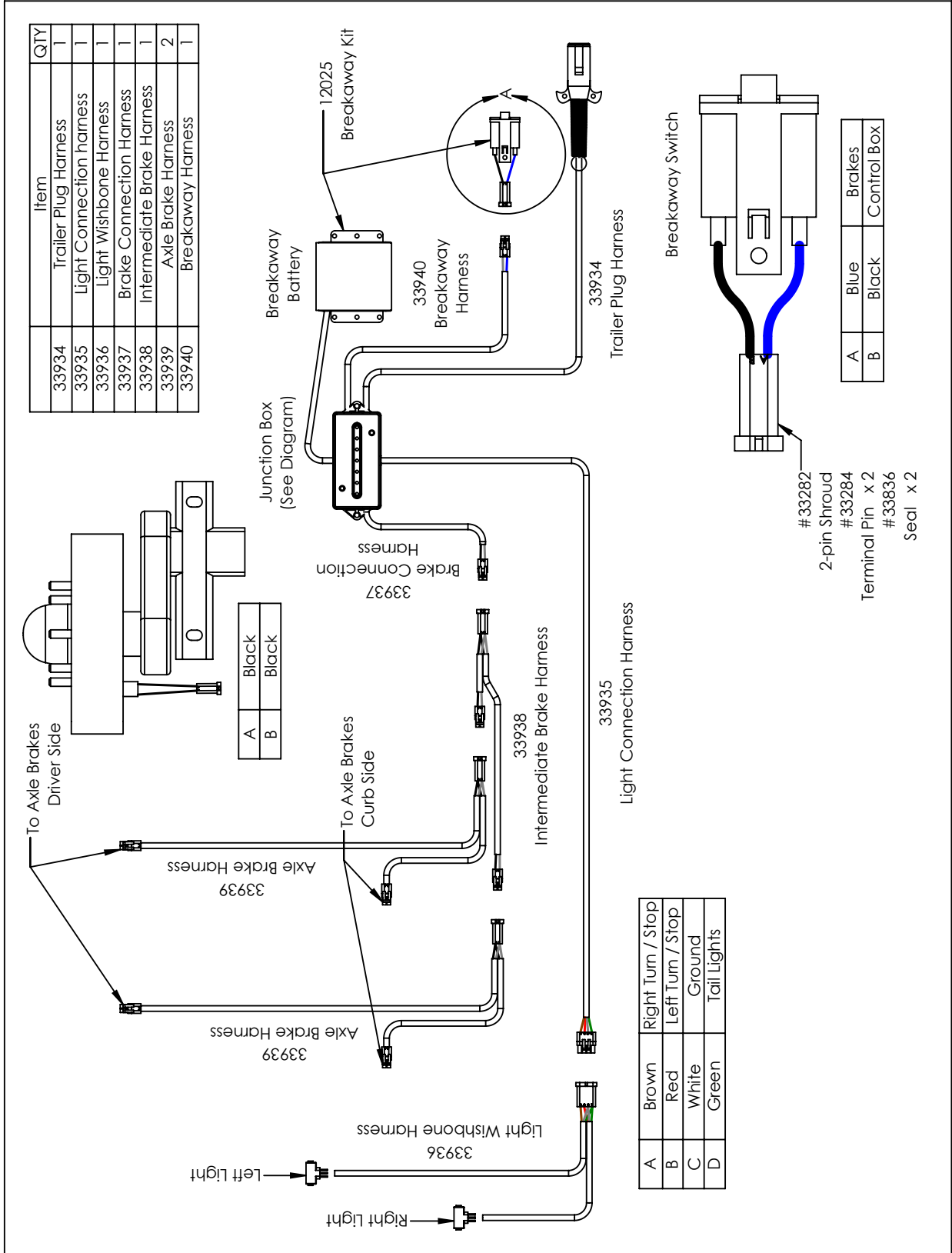
6

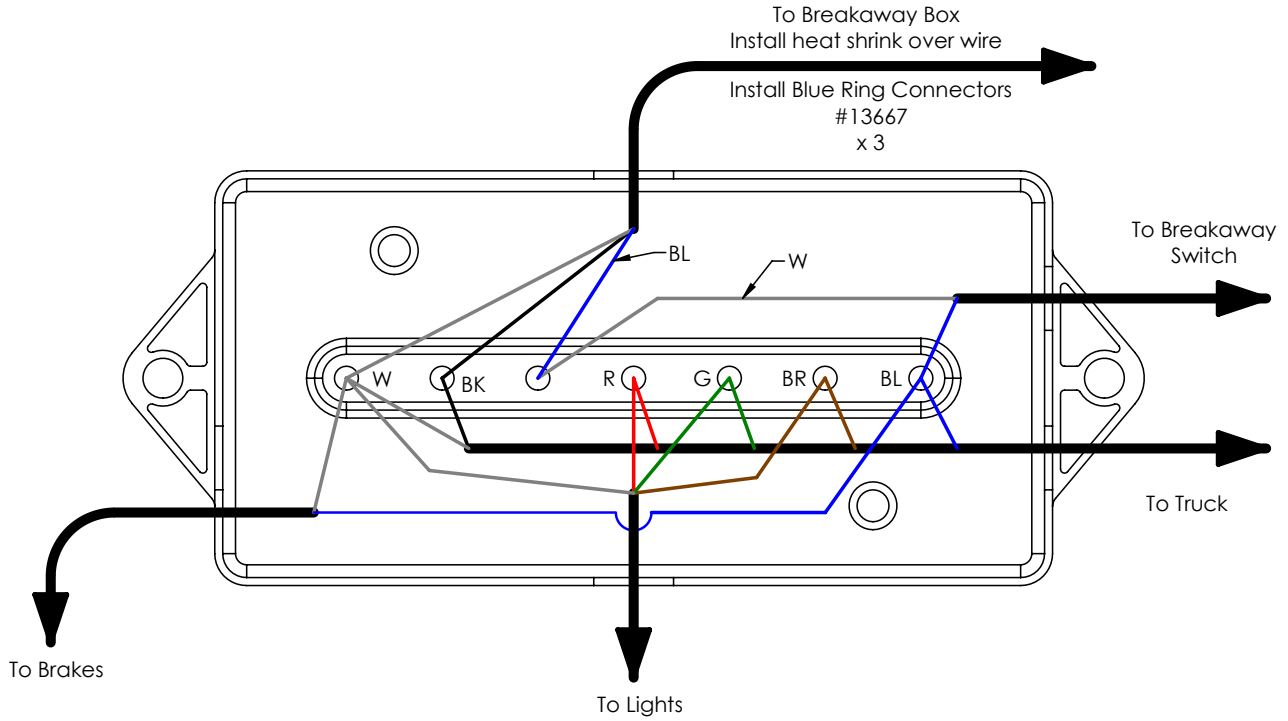
	Description	ID #	QTY
1	BRIDGEVIEW, 3 x 20"	33947	2
2	FLEXCART 48, 6 x 112"	33946	2
3	Flexcart 48 GVWR Tag	34407	1
4	AMC Member	12239	1

	Description	ID #	QTY
5	FEMA Member	25347	1
6	Conspicuity Tape, 18"	13600	4
7	Strap Information	35241	2

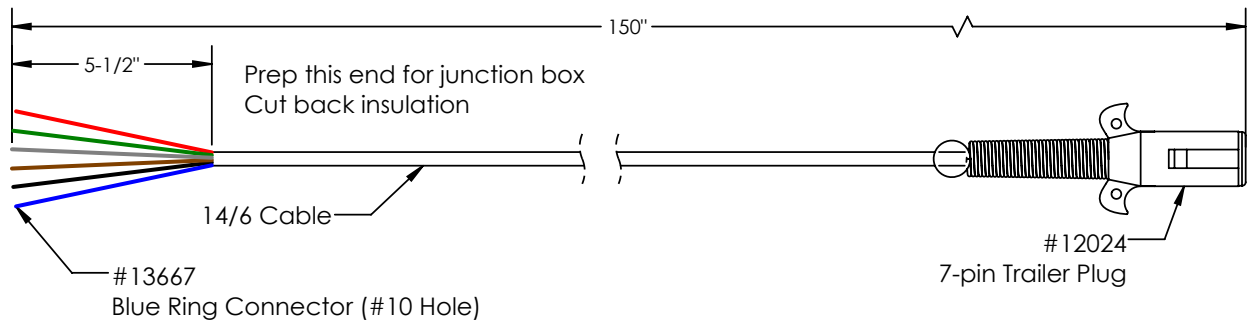


Electrical Schematic

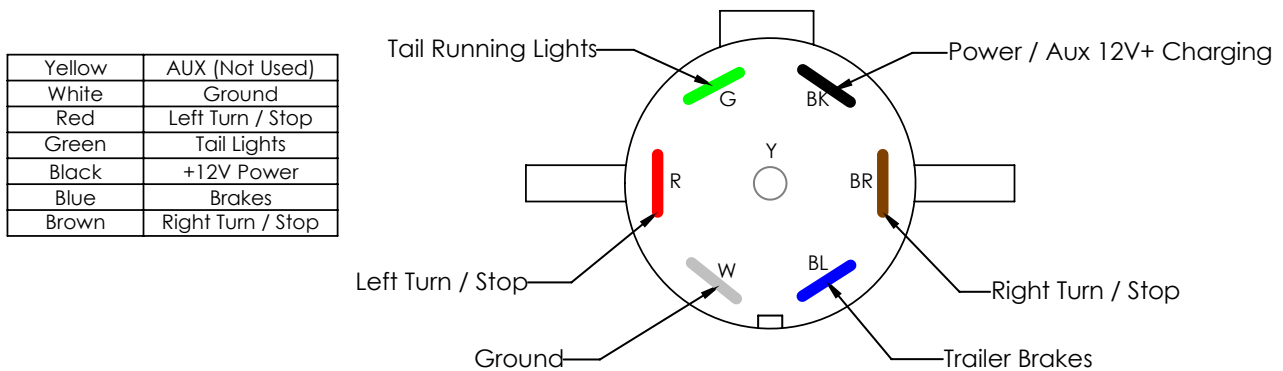




#33934
Trailer Plug Harness

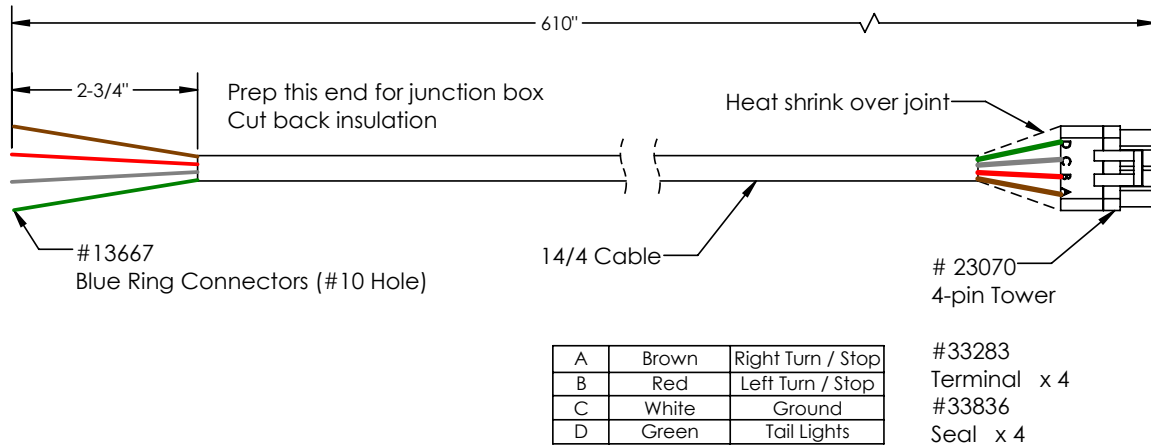


(View looking into back of plug)

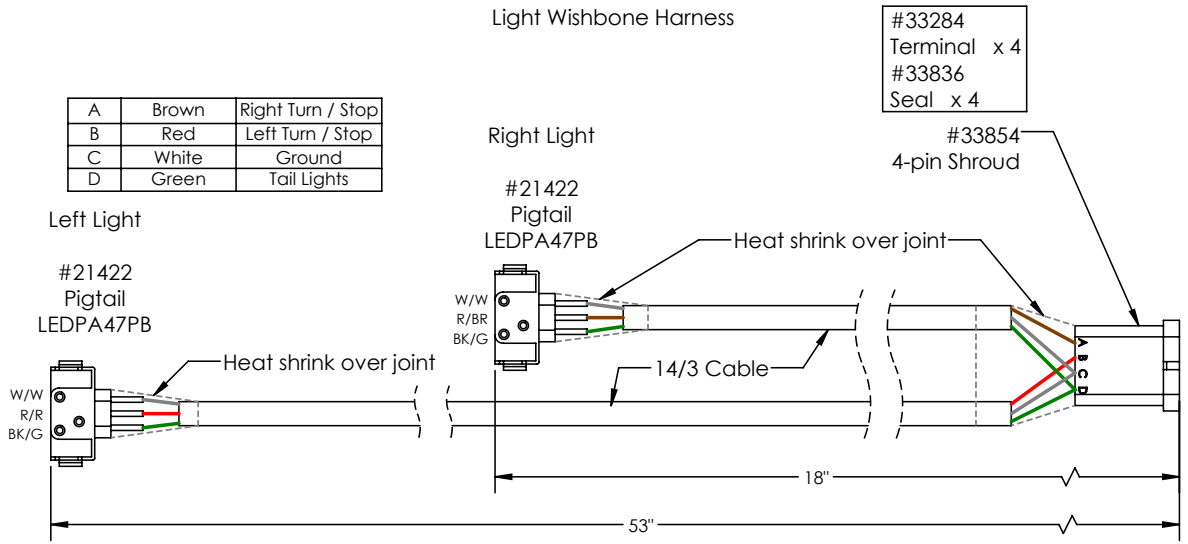




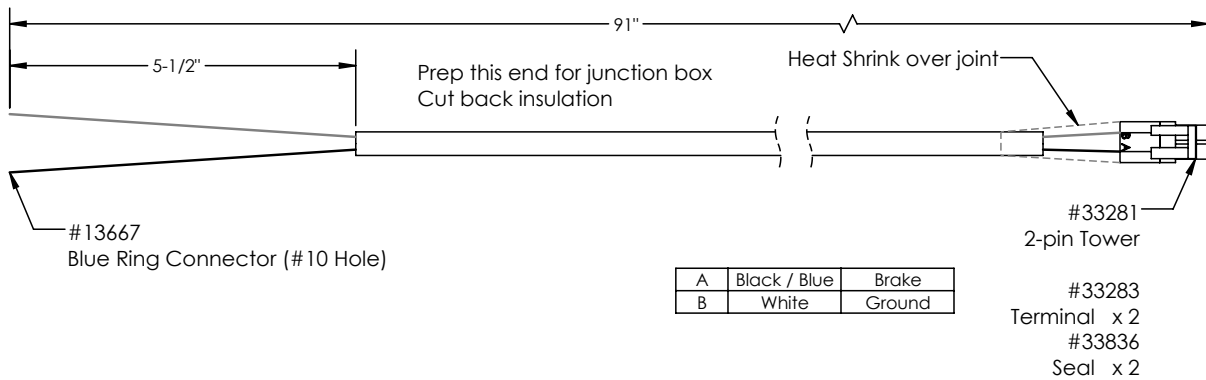
#33935
Light Harness



#33936
Light Wishbone Harness

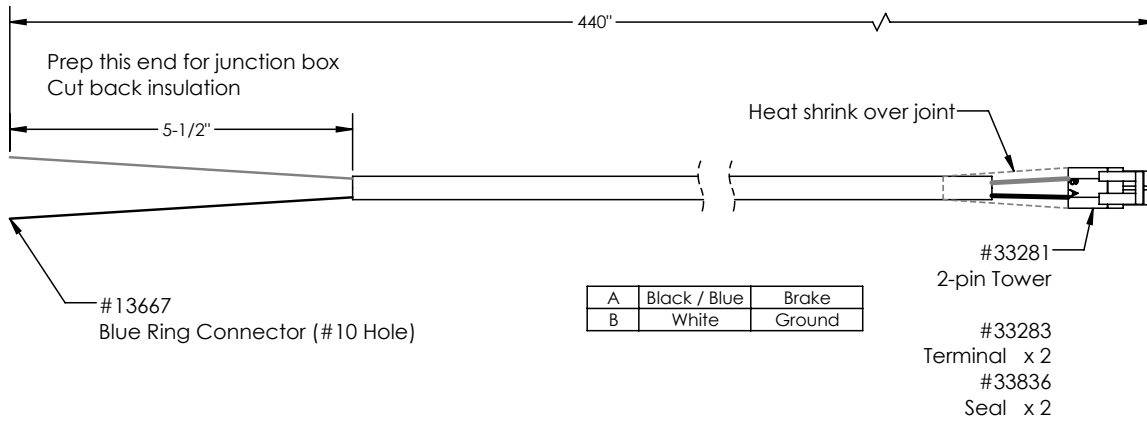


#33940
Breakaway Harness

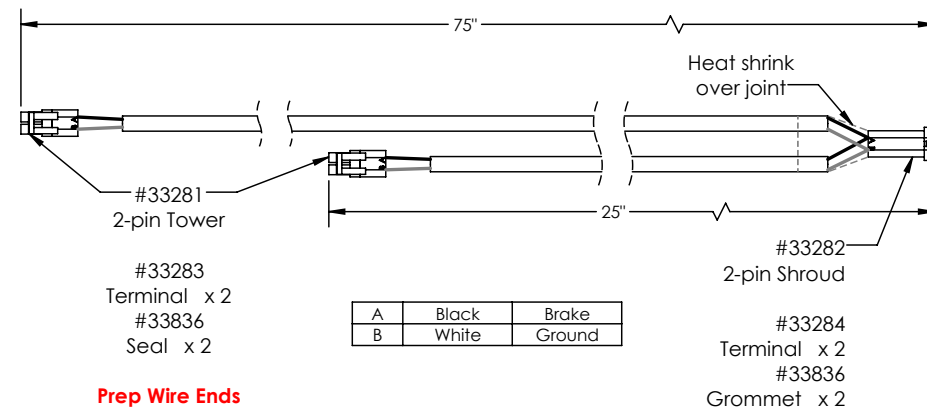




#33937
Brake Connection Harness

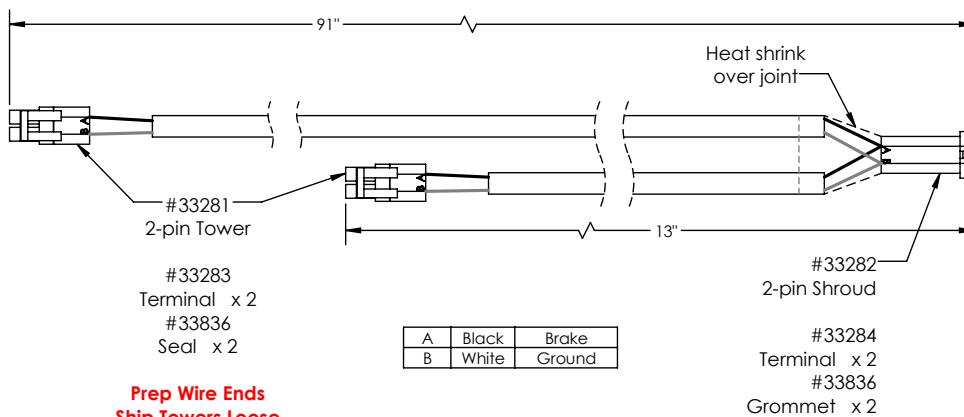


#33938
Intermediate Brake Harness



Prep Wire Ends
Ship Towers Loose
Install 3" Heat Shrink after routing

#33939
Axle Brake Harness

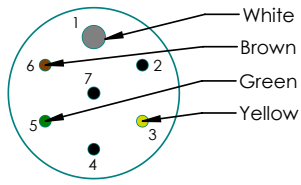


Prep Wire Ends
Ship Towers Loose
Install 3" Heat Shrink after routing

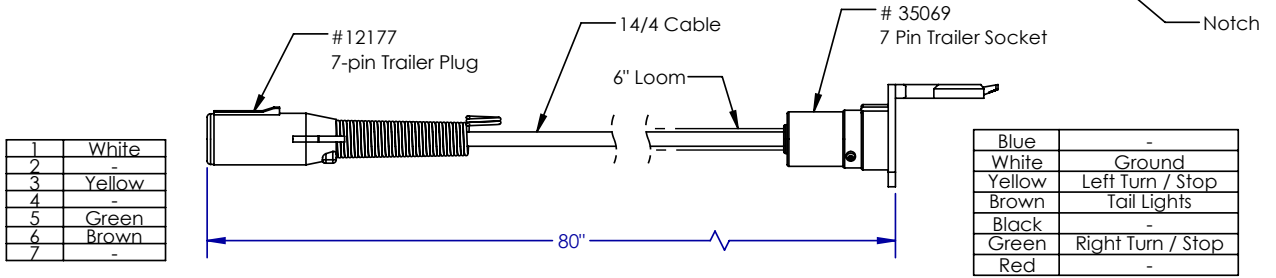
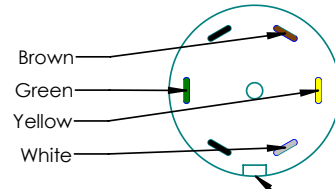


#35054
Hitch Extension Cord

(View looking into the back of plug)



(View looking into the back of the plug)



1	White
2	-
3	Yellow
4	-
5	Green
6	Brown
7	-

Blue	-
White	Ground
Yellow	Left Turn / Stop
Brown	Tail Lights
Black	-
Green	Right Turn / Stop
Red	-

